

Dee: Wall Mounted Bib Taps

Architects
Data File

Product Detail



Product: Dee
Code: TP1005-80L

Issue: 1
Date: 25-02-19

Product description:

Wall mounted bib taps suited to healthcare installations. 200mm extension from wall with 80mm levers. For hospitals and clinical areas.

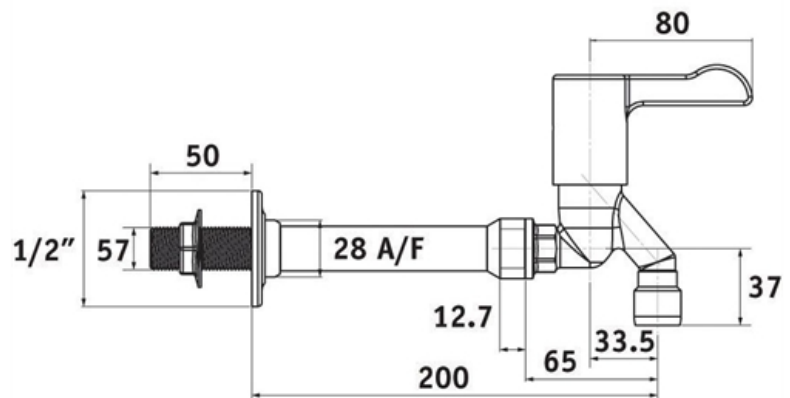
Product: Dee
Code: TP1005-80L

Technical Detail:

Finish:	Bright Polished	Body:	Brass
Fixing:	Wall Mounted	Back Nut:	Brass
Wras approved:	Yes		
Extension:	200mm		
Levers:	80mm		
Designed for:	Hospital and Clinical areas		

Minimum Operating Pressure (bar)	Maximum Cold Working Pressure (bar)	Maximum Hot Working Pressure (bar)
0.1 bar	10.0 bar at temperatures up to 85oC	Not Suitable for Maximum Hot Working Pressure

Drawing:



Dee: Wall Mounted Bib Taps

Care Of Your Product

Care

To maintain the surface finish, simply wipe occasionally with a mild detergent on a soft damp cloth. Dry, using a soft cloth. Never use abrasive cleaners or chemical household cleaners and avoid contact with concentrated bleach.

Maintenance

No regular maintenance is required for this product. In case of complete replacement Pegler recommend service valves should be fitted to the supply inlets.

DO PLEASE ENJOY YOUR NEW STAINLESS STEEL PRODUCT