

Education

Malvern: Junior Drinking Fountain

Architects
Data File

Product Detail



Product: Malvern
Code: SAN055J-BU

Issue: 1
Date: 25/10/23

Product description:

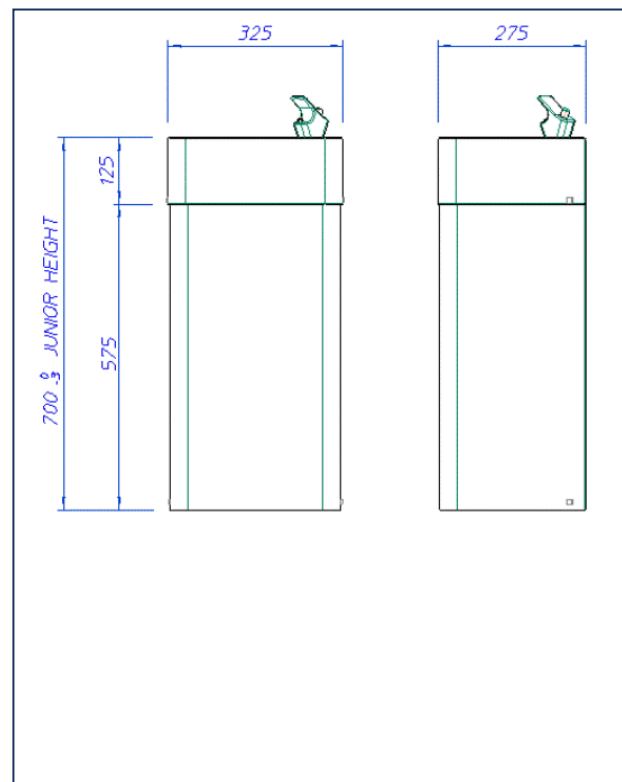
Malvern is a junior floor mounted drinking fountain. Complete with Glass Filler (J) with the option of a Bubbler Tap (J-BU) (Shown) or both (J-GFBU). The addition of the full-length shroud gives the advantage of both supply and waste pipe work concealed for a clean looking installation.

Product: Code:

Malvern	SAN055J
Malvern	SAN055J-BU
Malvern	SAN055JGFBU

Technical Detail:

Material:	<304> 1.4301
Gauge:	1.2mm
Finish:	Satin Polished
Inlet:	3/8"
Outlet:	1 1/4"
Fixing:	Wall / Floor



Education

Malvern: Junior Drinking Fountain

Packaging Detail

Packing Dimensions Approx.:

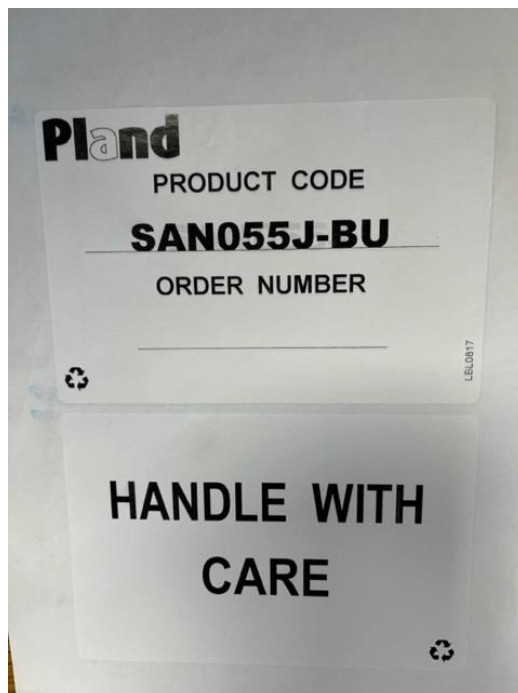
730mm x 295mm x 340mm

Total Weight:

10.5kg

Materials Used:

Shrink Wrap/ Cardboard Box.

Item Supplied With Product Label

Education

Malvern: Junior Drinking Fountain

Installation Detail

PLEASE FOLLOW THE INSTRUCTIONS BELOW TO INSTALL YOUR NEW DRINKING FOUNTAIN

Remove all packaging from the drinking fountain.

Offer the fully assembled drinking fountain up to the wall in the desired position and mark a line level with the top of the drinking fountain and also on the floor either side of the shroud.

Offer the joggle strip up to the wall 2mm below the line marked on the wall, ensure the joggle strip is level and then mark through the holes in the joggle strip.

Position the floor bracket central between the marks on the floor with the rear edge touching the wall.

Drill / plug the wall and floor to suit the appropriate fixings (provided by others) for the wall and floor type.

Secure the joggle strip to the wall (fixings provided by others) and the floor bracket to the floor.

Temporarily hang the drinking fountain on the joggle strip, make sure that the drinking fountain is sat level and then mark through the fixing holes at the back of the fountain.

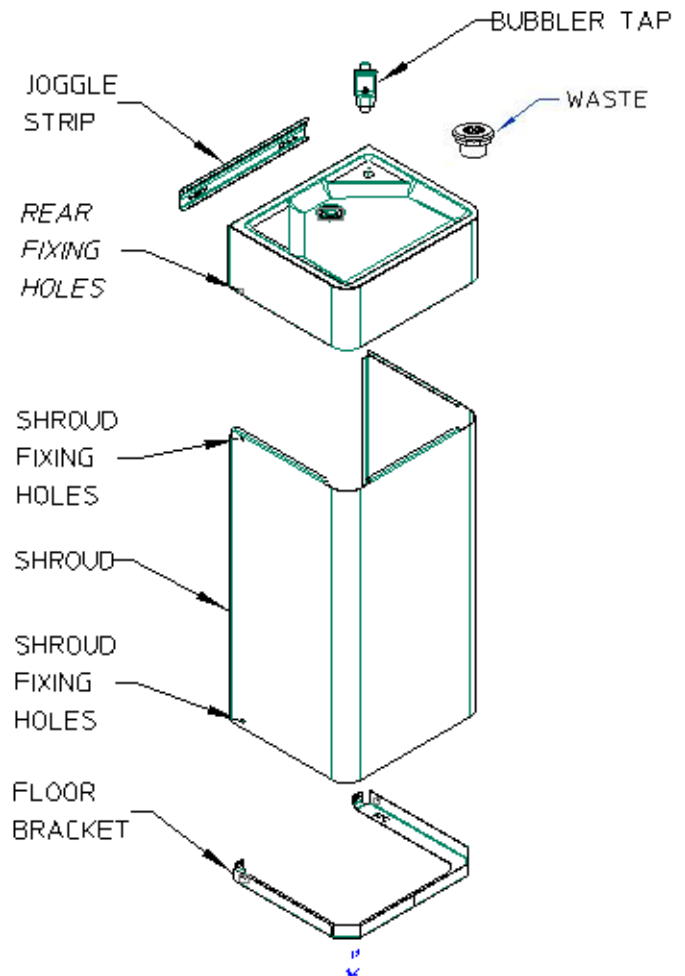
Remove the drinking fountain from the joggle strip. Drill / plug the wall to suit the appropriate fixings (provided by others) for the wall type.

Connect the bubbler and waste to the drinking fountain.

Hang the fountain back on the joggle strip and secure it to the wall (fixings provided by others).

Connect the drinking fountain to the site plumbing.

Push the shroud into position around the floor bracket and the fixing lugs at the base of the drinking fountain. Secure the shroud in place using the M6 machine screws provided.



Education

Malvern: Junior Drinking Fountain

Care Of Your Product

HANDLING AND FIXING CAUTION

Take care when handling and fixing this product. Exposed edges of the stainless steel, including tap holes, upstand, overflows and wastes etc. may cause harm if handled without due caution. When using the fixing clips supplied with inset sinks avoid touching the two prongs on the area of the clip that grips the underside of the worktop.

TO THE STOCKIST

Please store products in a cool, dry area.

Sinks should, where possible be stood on their ends supported by battens with the bowl uppermost.

If sinks are nested with bowls inside one another, place some dry cushioning material between them to protect the surfaces.

TO THE INSTALLER

DO handle with care to avoid scuffs and scratches during installation.

DO check that edges of sinks are dead level so that water will flow off the draining board.

DO NOT over-tighten plumbing or other mechanical fixtures.

DO NOT remove the plastic protective film applied to certain products until all installation work has been completed.

DO NOT stand/kneel on the drainer of sinks.

DO NOT drop mortar, plaster or similar substances onto the stainless steel.

TO THE USER

Stainless steel will give you a lifetime of trouble free use as long as you follow a few simple rules. If it appears to mark, don't worry, it is usually not the steel, but something deposited on it, which has caused the apparent stain.

DO - wash the product before use.

DO - clean the product regularly, using JIF, Goddard's, or similar recommended cleaners. Follow the manufacturer's instructions carefully. Always rinse well with clean water and dry the surface with a soft cloth.

DO - use nylon or bristle brushes, not metal scrapers or wire brushes to loosen stubborn stains.

Never use wire wool pads, as they can scratch the steel.

DO - take care when handling sharp objects as they can scratch the surface of the steel. Any scratches will blend together over a period of time and become less noticeable with age. There is no detriment to the corrosion resistance or general performance of the material.

DO NOT - allow undiluted bleach to remain in contact with stainless steel (remember dishwasher powders, sterilising agents and similar products all contain chlorides). Black pit marks can result and permanent damage can be caused. Dilute to manufacturer's instructions and always rinse with clean water.

DO NOT - soak clothes in bleach solutions for long periods. Always rinse bowl with clean water after use.

DO NOT - leave such substances as Mortar, Grouting cement, soldering flux, photographic developing fluids, silver dip, denture liquids or food acids on the surface of the steel. Clean immediately and rinse well with clean water.

DO NOT - allow corrosive foodstuffs, such as fruit juices, damp salt, vinegar, mustards, pickles and mayonnaise to remain on the surface of the steel for long periods. Wash and rinse away.

DO NOT - let hard water cause a build-up of lime or chalk deposits which can sometimes be seen as a greyish film. Clean regularly with recommended cleaners to avoid this problem and always wipe dry with a soft cloth.

DO NOT - worry if the steel appears to rust. Usually it's deposits of wire wool scouring pads, plumbers swarf, particles from rusting storage tanks or other deposits on the surface which can be cleaned and rinsed away following your usual cleaning procedure. Bases of washing up bowls can harbour such deposits – check regularly.

DO NOT - use coarse grit cleaners or wire wool pads when cleaning the steel. They will scratch the surface.

DO NOT - leave carbon steel objects such as bottle openers, scissors, whisks and other kitchen objects standing on the surface for long periods, they can rust and leave marks.

DO PLEASE ENJOY YOUR NEW STAINLESS STEEL PRODUCT

Education

Malvern: Junior Drinking Fountain

Cleaning Regime

Problem	Corrective Treatment	Comments
Routine Cleaning.	Washing up liquid, all-purpose cleaning liquid, swab with cloth or sponge rinse well.	Satisfactory on all surfaces.
Oil & Grease Marks.	Degreasing fluid or cellulose thinners.	Rinse with soap & water.
Stubborn marks, stains and light discoloration.	Mild abrasive creams (Sif / Shiny sinks).	Heavy stains can be loosened by soaking with Metsoak or Hi-Phos. Rinse thoroughly after soaking as these products cause rust type marks if left.
Heavy discoloration or heat tint.	Use metal polish (Brasso, Goddard's S/S Cleaner, Bar Keepers Friend) or a light non-metallic abrasive pad. Dura glit.	Use only on grain finish surfaces and work in direction of grain as slight scratching will occur.
Lime Scale	Apply descaler as instructed, agitate & allow to soak, re apply if not fully removed. (Met-soak DX4920 or Hi-Phos)	Bleach solutions including over the counter brands must only be used in dilution as instructed and thoroughly rinse immediately after application as chloride containing compounds will cause corrosion on all grades of stainless steel. Rinse thoroughly after application and wipe dry as rust type stains can result if left undiluted on surface

There are also products on the market which help to reduce the marks left by fingers and hands one of which is 3m's stainless steel cleaner, also of help is baby oil very lightly applied to the surface.