

Ouse: Pre-Wash Tap

Architects
Data File

Product Detail



Product: Ouse
Code: TP1024

Issue: 1
Date: 17-02-16

Product description:

The Ouse Catering Pre-Wash, 1 Tap Hole, With Spout, with energy saving mixer spray head. Deck mounted, Ideal for busy working environments, cafes, restaurants, schools etc.

Product:

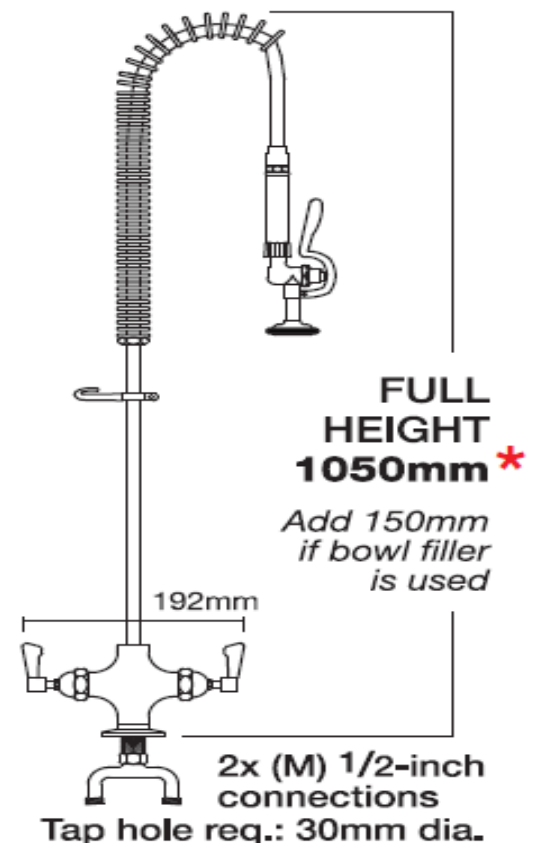
Code:

Ouse	TP1011
Ouse	TP1022
Ouse	TP1023
Ouse	TP1024
Ouse	TP1103

Technical Detail:

Tap Holes:	1 x 30mm Dia
Connections:	2 x (m) ½"
Mounting:	Deck
Feed:	Twin
Bowl Filler:	Yes
Approval:	WRAS

Lined Drawing:



Use: Pre-Wash Tap

Packaging Detail

Packing Dimensions Approx.:

1020mm x 310mm x 100mm

Total Weight:

10kg

Materials Used:

Shrink wrap/ bubble wrap/ card board

Item Supplied With Product Label

