

## Ouse: Pre-Wash Tap

Architects  
Data File

### Product Detail



**Product:** Ouse  
**Code:** TP1022

**Issue:** 1  
**Date:** 17-02-16

#### Product description:

The Ouse Catering Pre-Wash, 2 Tap Hole, With Spout, with energy saving mixer spray head. Deck mounted, Ideal for busy working environments, cafes, restaurants, schools etc.

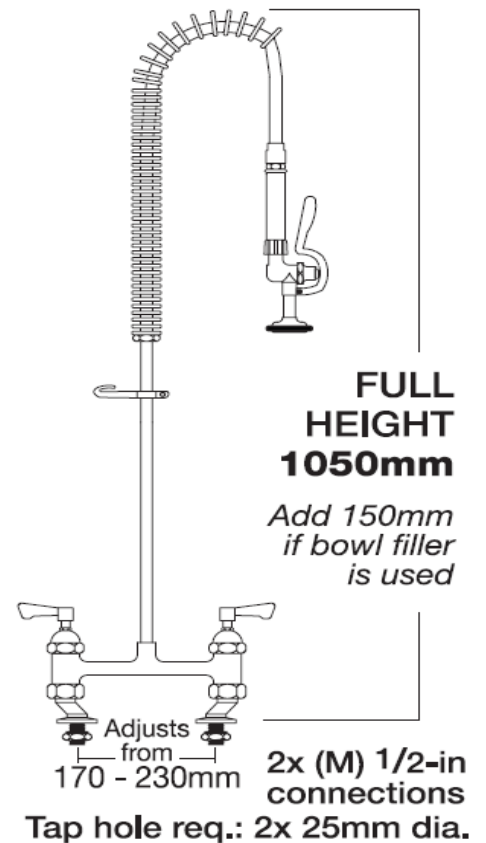
#### Product: Code:

Ouse	TP1011
Ouse	<b>TP1022</b>
Ouse	TP1023
Ouse	TP1024
Ouse	TP1103

#### Technical Detail:

Tap Holes:	2 x 25mm Dia
Connections:	2 x (M) 1/2"
Centres:	170mm To 230mm
Mounting:	Deck
Feed:	Twin
Bowl Filler:	Yes
Approval:	WRAS

#### Lined Drawing:



## Use: Pre-Wash Tap

### Packaging Detail

**Packing Dimensions Approx.:**

1020mm x 310mm x 100mm

**Total Weight:**

10kg

**Materials Used:**

Shrink wrap/ bubble wrap/ card board

**Item Supplied With Product Label**

