

## Ouse: Pre-Wash Tap

Architects  
Data File

### Product Detail



**Product:** Ouse  
**Code:** TP1011

**Issue:** 1  
**Date:** 17-02-16

#### Product description:

The Ouse Catering Pre-Wash, 2 Tap Hole, No Spout with energy saving mixer spray head. Deck mounted, Ideal for busy working environments, cafes, restaurants, schools etc.

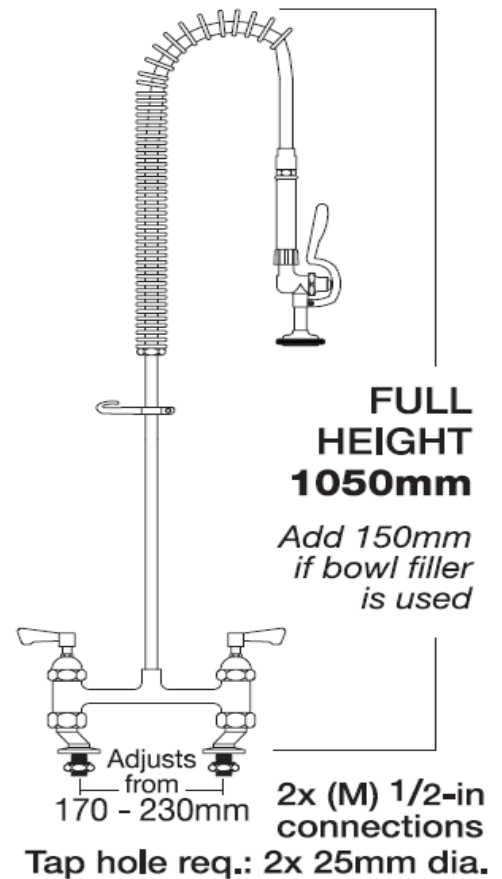
#### Product:

#### Code:

|      |        |
|------|--------|
| Ouse | TP1011 |
| Ouse | TP1022 |
| Ouse | TP1023 |
| Ouse | TP1024 |
| Ouse | TP1103 |

#### Technical Detail:

|              |                |
|--------------|----------------|
| Tap Holes:   | 2 x 25mm Dia   |
| Connections: | 2 x (M) 1/2"   |
| Centres:     | 170mm To 230mm |
| Mounting:    | Deck           |
| Feed:        | Twin           |
| Bowl Filler: | No             |
| Approval:    | WRAS           |



## Ouse: Pre-Wash Tap

### Packaging Detail

**Packing Dimensions Approx.:**

1020mm x 310mm x 100mm

**Total Weight:**

10kg

**Materials Used:**

Shrink wrap/ bubble wrap/ card board

**Item Supplied With Product Label**

