

Ribble: Lever Taps

Architects
Data File

Product Detail



Product: Ribble
Code: TP1016

Issue: 1
Date:

Product description:

Economy range of 3" lever head taps for standard installation with our range of products.

Product:

Ribble
Ribble
Ribble

Code:

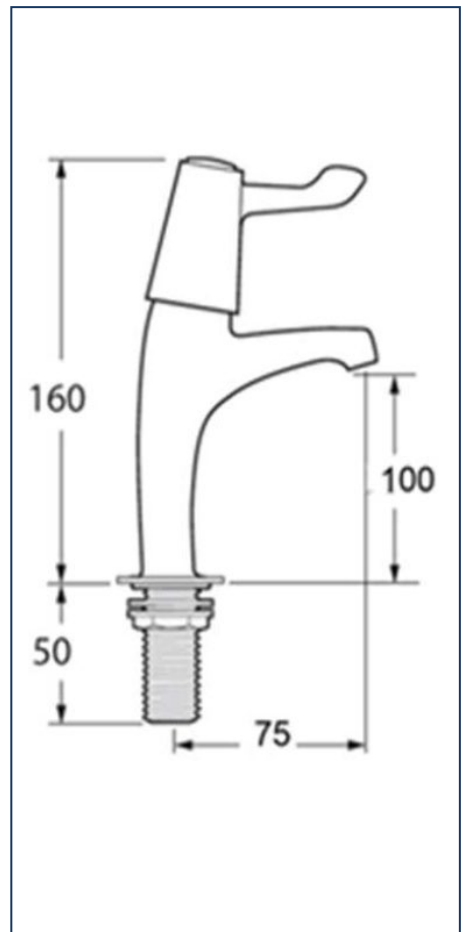
TP1016
TP1017
TP1018

Technical Detail:

Brass Backnut
1/2" Connection
1/4" Turn Valve
Flush Antisplash

WRAS 1204001

Flow
(Bar - L/Min)
0.1 5
0.2 6.5
0.3 N/A
0.5 10.5
1 15.5
2 20



Ribble: Lever Taps

Packaging Detail

Box Size	- 250mm x 180mm x 55mm
Tap Weight	- 0.904Kg
Plastic Weight	- 0.009Kg
Card Weight	- 0.135Kg
Paper Weight	- 0.004Kg
Total Weight	- 1.052Kg

