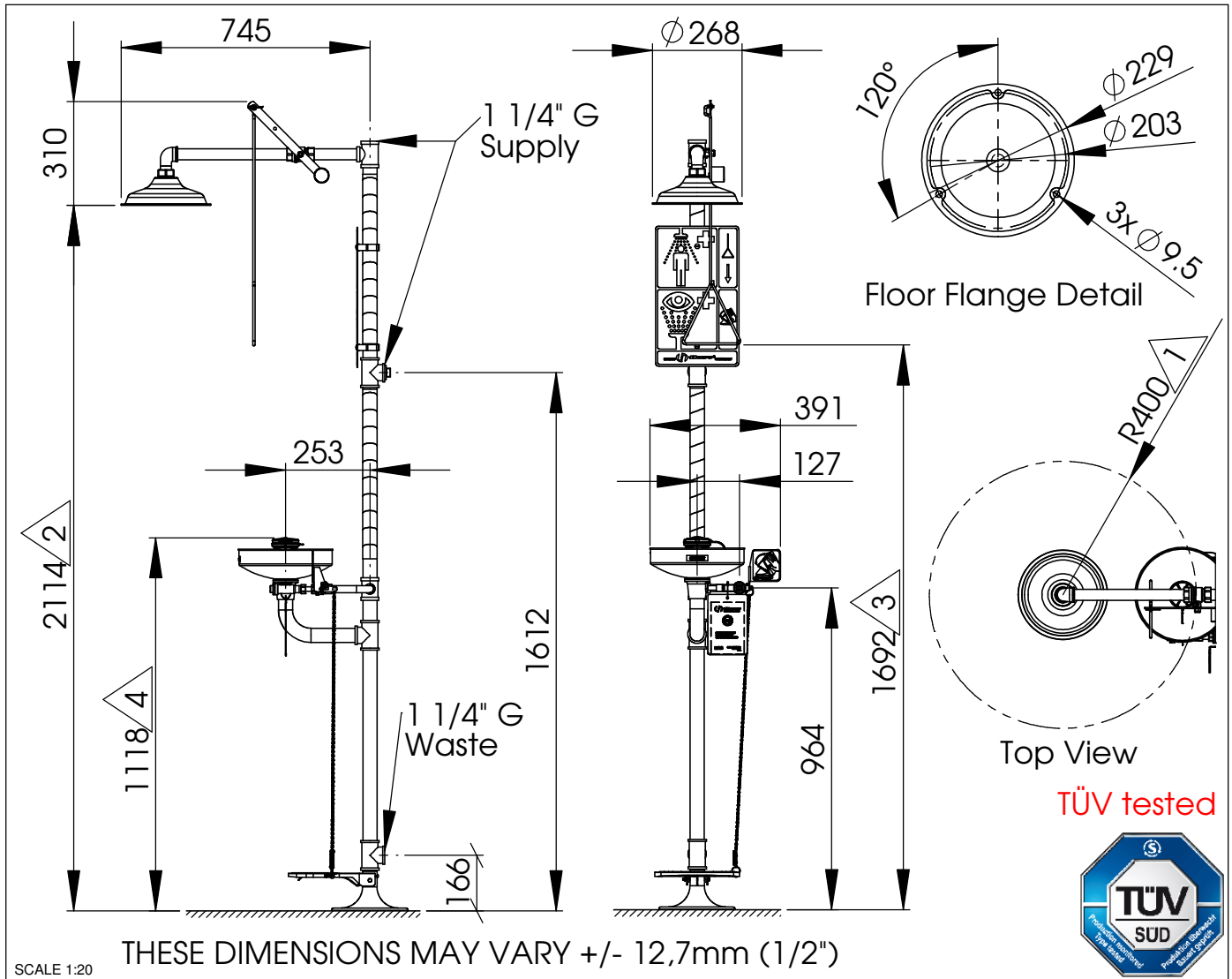


Model 8300 Axion Combination Shower and Eye Wash No.2080162/2

NOTE TO INSTALLER: please leave this information with the maintenance department.


Legally-stipulated dimensions:

1. There must be a minimum clearance radius of 400 mm / 1' 3 3/4" (not counting operating controls and eyewasher units) between a vertical line running down from the shower head and the nearest obstacle (wall, vertical inlet pipe or similar).
2. Height above floor level: 2100mm - 2300mm (6' 10 1/2" - 7' 6 1/2").
3. The operating controls must be no higher than 1750mm (5' 9") above floor level (while conforming to local regulations).
4. Height above floor level: 800mm - 1200mm (2' 7 1/2" - 3' 11 1/4").

Free access to the eyewash station/body shower 8300 Axion must be guaranteed at all times. The operator is responsible for the observance of this requirement.



Model **8300 Axion** Combination Shower and Eye Wash No.2080162/2

Shower location: The eyewash station/body shower 8300 Axion must be installed in the vicinity of potential danger zones. It must be highly visible and easily accessible.

Connection conduit: You are recommended to use a 1 1/4" G conduit, capable of withstanding pressures of 2 - 6BAR (30 - 90PSI). The use of an inlet filter designed to prevent the entry of suspended particles and other impurities is also recommended.

Water quality: Eyewash stations/body shower require a supply of drinking water conforming to European standards or their equivalents in other countries.

Water temperature: The required water temperature should be determined the user. The accepted ideal range is 15 - 35°C / 60 - 95°F (but please ensure conformity with local regulations).

Volume flow: A minimum flow rate of 60 litres / 15,8 US gallons per minute must be maintained for the body shower. A minimum flow rate of 6 litres / 1,6 US gallons per minute must be maintained for the eyewash station. The eyewash station/body shower must be capable of delivering this amount of water for at least 15 minutes.

Connection to plumbing: The inlet consists of a 1 1/4" G conduit with female-thread adapter. The outlet is likewise a 1 1/4" G female-thread conduit.

Regular inspection:

The eyewash station/body shower 8300 Axion should be inspected at weekly intervals. The inspection tag should be dated and signed after each check.

TROUBLESHOOTING	
Problem	Repair-checklist
1. No flow	Check the main shutoff valve.
2. Insufficient flow of water	1. Check the line pressure. This should be at least 2 BAR / 30 PSI (dynamic). 2. Blocked flow, possibly due to the conduit not being correctly flushed out. Dismantle the flow-control element, and clean the filter insert.
3. Flow rate is not as specified	The flow conduit may be blocked (for remedy, see above). The eyewash station may not have been set up correctly.
4. Water does not discharge correctly	Check the building's main drainage outlet. Note that it must have adequate capacity to handle the entire drainage system.
5. Loose connections or fittings	Tighten any loose connection elements. The application of hot water sometimes makes it easier to put slightly-misaligned connection elements back into place. If the join is still leaking after 30 minutes, the assembly must be dismantled and re-sealed.