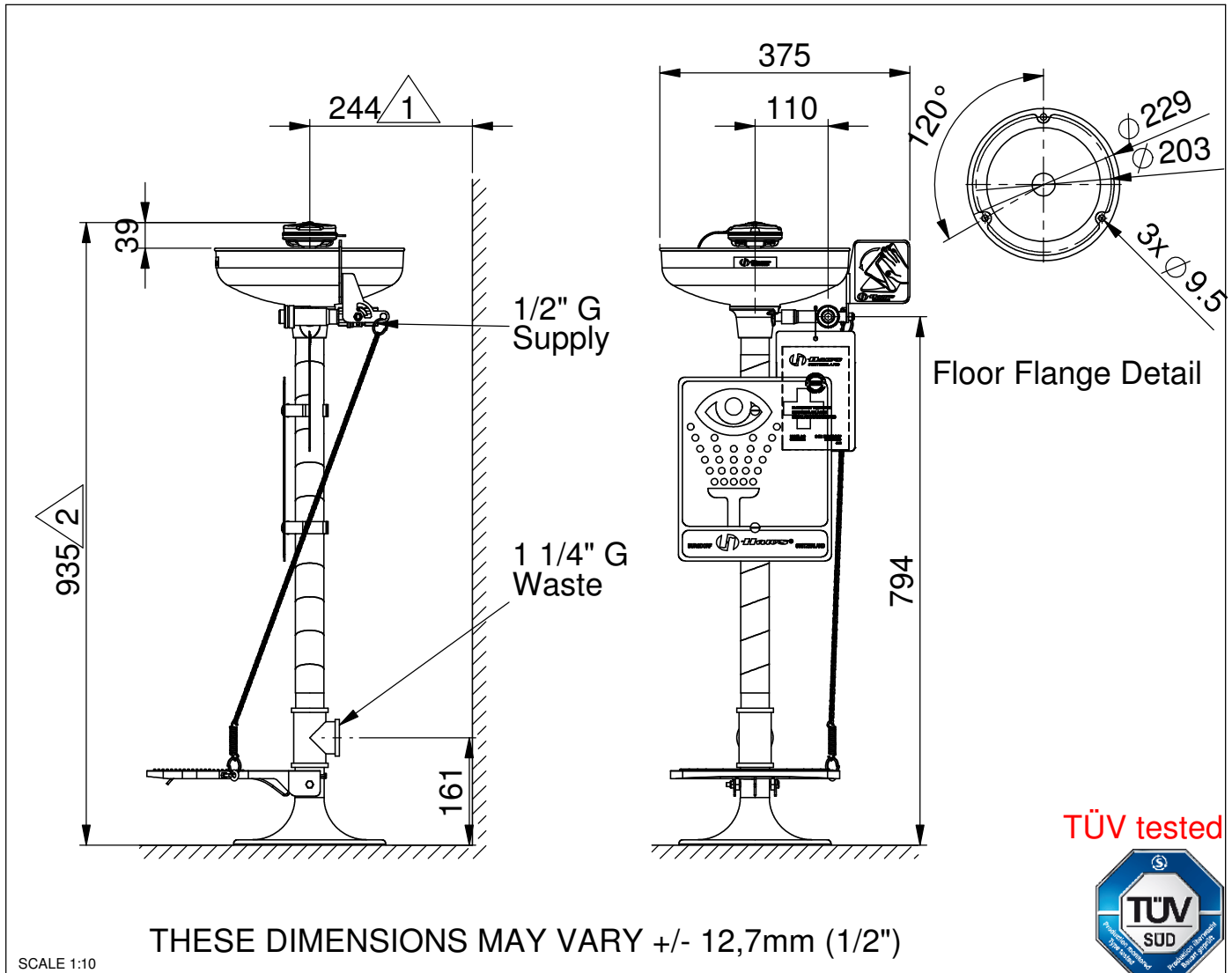




Model 7261 Axion Pedestal Eye Wash

No.2080043/4

NOTE TO INSTALLER: please leave this information with the maintenance department.

Legally-stipulated dimensions:

-  Ensure that there is a minimum clearance of 150mm (6") with respect to the nearest wall or obstacle.
-  Height above floor level: 800mm - 1200mm (2' 7 1/2" - 3' 11 1/4").

Free access to the eyewash station 7261 Axion must be guaranteed all times. The operator is responsible for the observance of this requirement.



Model 7261 Axion

Pedestal Eye Wash

No.2080043/4

Shower location: The eyewash station 7261 Axion must be installed in the vicinity of potential danger zones. It must be highly visible and easily accessible.

Connection conduit: You are recommended to use a 1/2" G conduit, capable of withstanding pressures of 2 - 6 BAR (30 - 90 PSI). The use of an inlet filter designed to prevent the entry of suspended particles and other impurities is also recommended.

Water quality: Eyewash stations require a supply of drinking water conforming to European standards or their equivalents in other countries.

Water temperature: The required water temperature should be determined by the user. The accepted ideal range is 15 - 35°C / 60 -95°F (but please ensure conformity with local regulations).

Volume flow: A minimum flow rate of 6 litres / 1,6 US gallons per minute must be maintained. The eyewash station must be capable of delivering this amount of water for at least 15 minutes.

Connection to plumbing system: The inlet consists of a 1/2" G conduit with female-thread adapter, while the outlet is a 1 1/4" G threaded conduit.

Regular inspection:

The eyewash station 7261 Axion should be inspected at weekly intervals. The inspection tag should be dated and signed after each check.

TROUBLESHOOTING

Problem	Repair-checklist
1. No flow	Check the main shutoff valve.
2. Insufficient flow of water	<ol style="list-style-type: none">1. Check the line pressure. This should be at least 2 BAR / 30 PSI (dynamic).2. Blocked flow, possibly due to the conduit not being correctly flushed out. Dismantle the T-piece, and clean the rubber flow-regulator.
3. Flow rate is not as specified	The flow conduit may be blocked (for remedy see above). The eyewash station may not have been set up correctly.
4. Water does not discharge correctly	Check the building's main drainage outlet. Note that it must have adequate capacity to handle the entire drainage system.