



model SP65SS

AXION® MSR Eye/face Wash Head

FEATURES & BENEFITS

OPTIONS

For more information, visit www.hawesco.com or call (888) 640-4297.



SPECIFICATIONS

Model SP65SS AXION® MSR stainless steel eye/face wash head shall include inverted directional flow with laminar flow and an integral 3.7 gpm (14 L) flow control, along with a yellow plastic pop-off dust cover. (Not for use with freeze protected models)

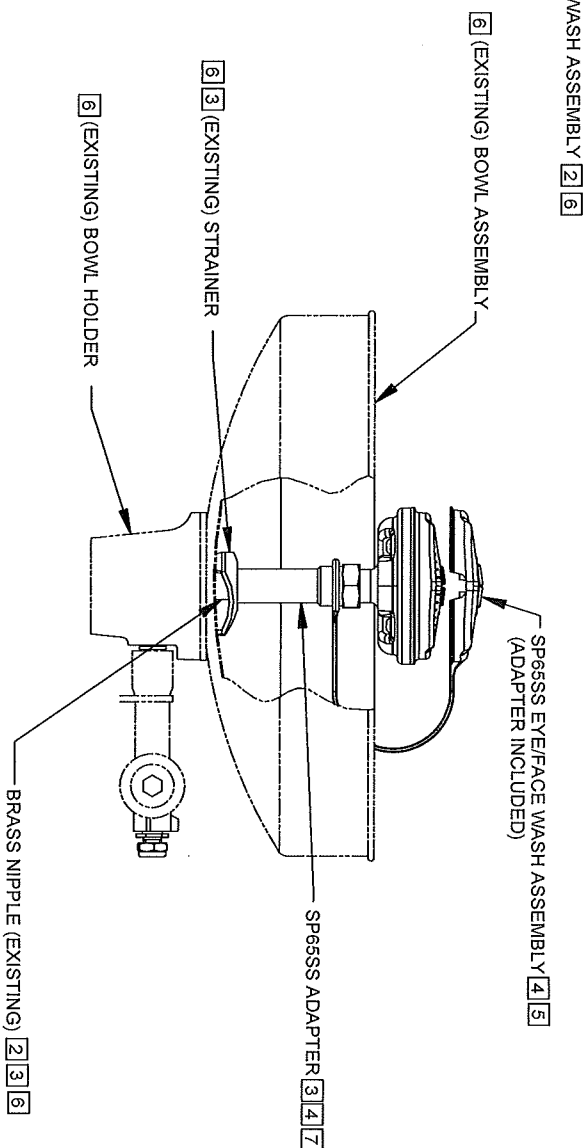
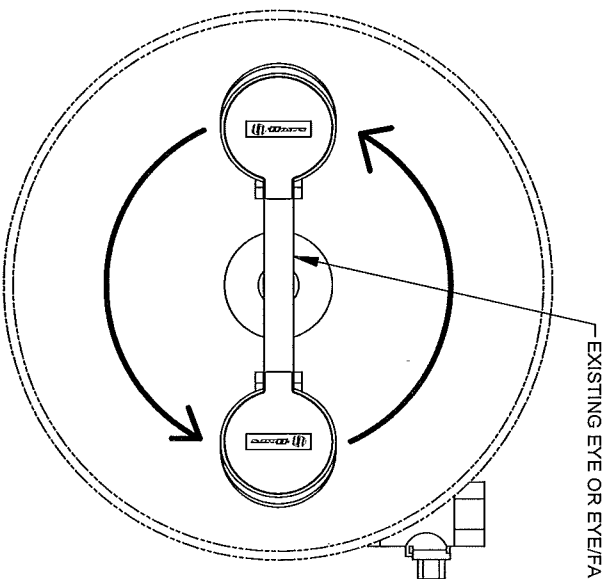
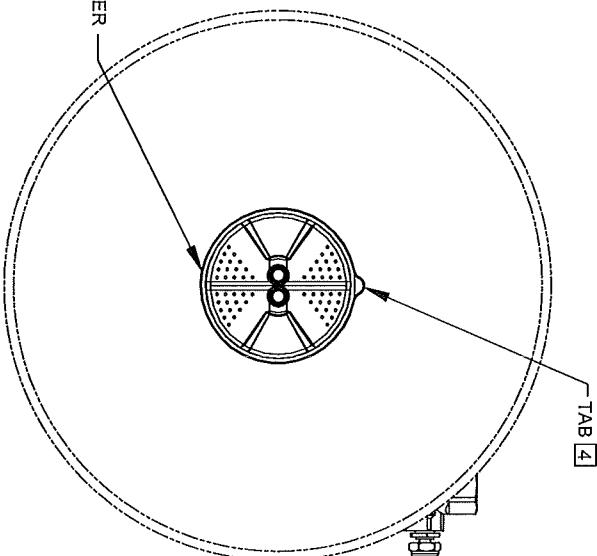
APPLICATIONS

Intended as a direct replacement for the SP63 and SP63FC Haws eyewash assembly. Suitable as a replacement for current SP62, SP62FC, SP69, and SP69FC eyewash assemblies.

INSTALLATION/RETRO FIT STEPS

1. IF REPLACING AN EXISTING EYEWASH ASSEMBLY WITH SP65SS FOLLOW STEPS 2 THROUGH 5 AND IF INSTALLING SP65SS ON NEW UNIT FOLLOW STEPS 3 THROUGH 5 (IF APPLICABLE).
NOTE: NOT FOR USE ON ANY FREEZE RESISTANT UNIT; i.e. 8300FP, 8300.158, 7433FP, 8317CTFP, 8317CTFP-220V, AND 8317CTFP-1D1.
- 2 REMOVE EXISTING EYEWASH BY SPINNING EYEWASH TEE COUNTERCLOCKWISE. DO NOT REMOVE BRASS NIPPLE FROM BOWL HOLDER.
- 3 PLACE SP65SS ADAPTER THROUGH DUST COVER LOOP. THREAD SP65SS ADAPTER ONTO NIPPLE UNTIL SNUG AGAINST STRAINER.
- 4 THREAD SP65SS ONTO ADAPTER. ORIENT TAB TOWARDS THE BACK (AWAY FROM USER). DO NOT OVER-TIGHTEN.
- 5 PLACE DUST COVER ONTO EYEFACE WASH IF MODEL 9102 STAINLESS COVER IS NOT INSTALLED.
- 6 EXISTING COMPONENTS SHOWN (TYPICAL MODEL) ARE FOR REFERENCE ONLY AND MAY NOT REPRESENT YOUR SPECIFIC UNIT.
- 7 ADAPTER SUPPLIED WITH SP65SS MAY NOT BE REQUIRED IN SOME APPLICATIONS.

EYEFACE WASH HEAD SHOWN WITHOUT DUST COVER



SEE SHEET 2 OF 2
FOR FLOW CONTROL
CLEANING STEPS



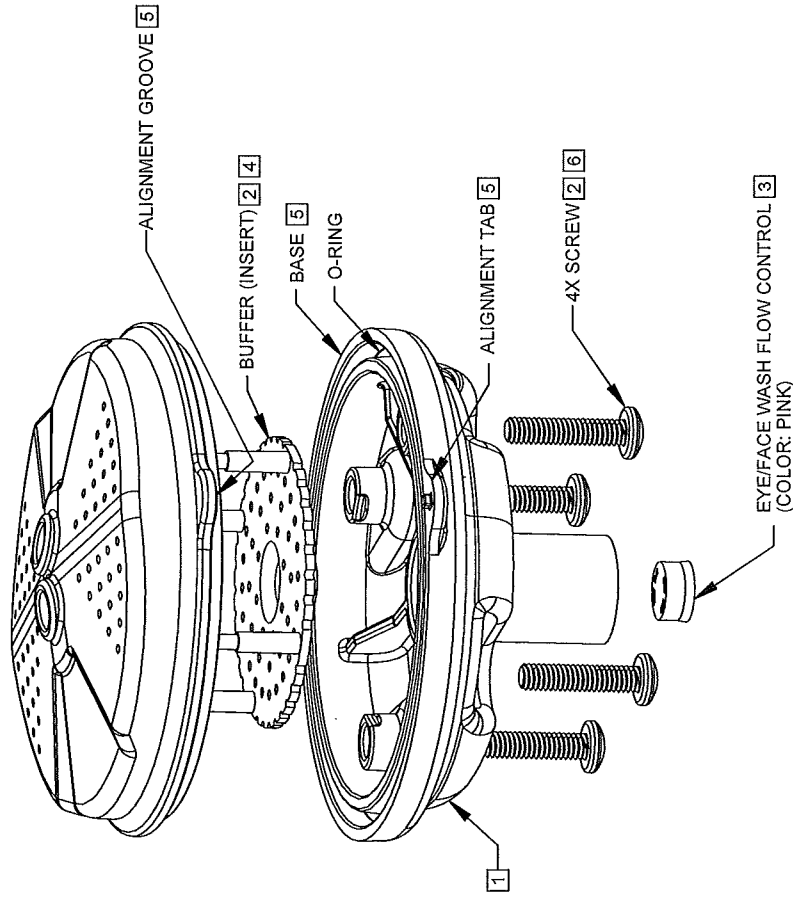
1455 KLEPPE LANE
SPARKS, NEVADA 89431
(775) 369-4712 FAX (775) 369-7424
E-MAIL: HAWSON@HAWSCCO.COM
WEBSITE: WWW.HAWSCCO.COM

ECN NO. REVISED PER BY:	MODEL(S)	PART NUMBER
4358 EDV.4838 HM		0002077593
DRAWN: IR	DATE: 2/10/11	DRAWING NO. 15972A00
APPROVED: [Signature]	SCALE: 1:18	REV 3
	DRAWING TYPE: INSTALLATION	
	SIZE: A	SHEET 1 OF 2

THIS DOCUMENT IS TRUE AND CORRECT AT TIME OF PUBLICATION. CONTINUED PRODUCT IMPROVEMENTS MAKE SPECIFICATIONS AND MEASUREMENTS SUBJECT TO CHANGE WITHOUT NOTICE.

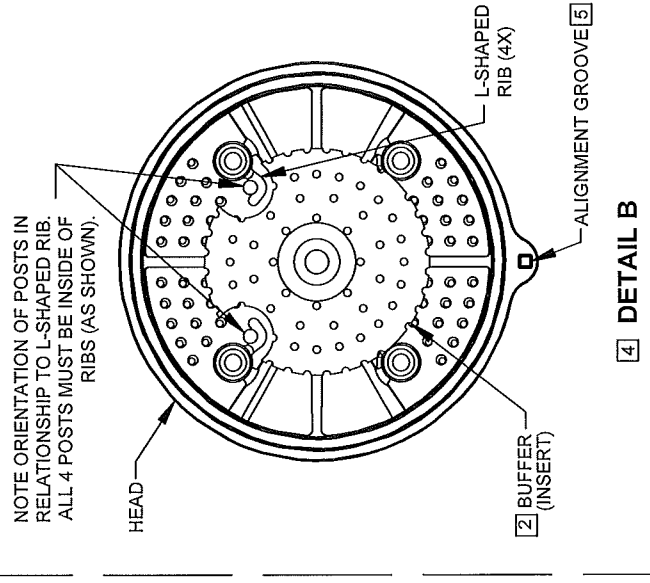
FLOW CONTROL CLEANING STEPS:

- 1 UNSCREW EYE/FACE WASH ASSEMBLY FROM ADAPTER.
- 2 REMOVE SCREWS (QTY. 4) FROM SP65SS EYE/FACE WASH ASSEMBLY. REMOVE EYE/FACE WASH HEAD AND BUFFER (INSERT).
- 3 REMOVE EXISTING FLOW CONTROL FROM BASE BY PUSHING IT OUT FROM THE TOP, AND CAREFULLY REMOVE ANY DEBRIS LODGED BETWEEN O-RING AND HOUSING OR OPENINGS. ALSO, CHECK FOR ANY SEDIMENT OR MINERAL DEPOSITS BLOCKING OPENINGS. EXERCISE CAUTION NOT TO DAMAGE OR LOSE O-RING IN THE PROCESS. ALL OPENINGS ON FLOW CONTROL MUST BE FREE AND CLEAR OF ANY OBSTRUCTIONS FOR FLOW CONTROL TO FUNCTION PROPERLY. REINSTALL FLOW CONTROL. SEE DETAIL A FOR ORIENTATION.
- 4 INSERT BUFFER (INSERT) INTO EYE/FACE WASH HEAD NOTING ORIENTATION OF POST IN RELATIONSHIP TO L-SHAPED RIB AS SHOWN ON DETAIL B.
- 5 REASSEMBLE EYE/FACE WASH HEAD, MAKING SURE THAT ALIGNMENT GROOVE ON EYE/FACE WASH HEAD LINES UP WITH ALIGNMENT TAB ON BASE AND O-RING IS SEATED IN O-RING GROOVE.
- 6 REINSTALL SCREWS (QTY. 4) INTO THE EYE/FACE WASH ASSEMBLY. TIGHTEN SNUG TO ENSURE A WATER-TIGHT SEAL.
- 7 REASSEMBLE SP65SS EYE/FACE WASH ASSEMBLY ONTO ADAPTER. ORIENT TAB TOWARDS THE BACK (AWAY FROM USER). DO NOT OVER-TIGHTEN.
- 8 PLACE DUST COVER OVER EYE/FACE WASH.

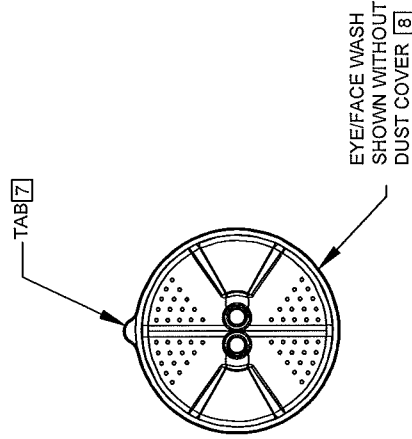


FLOW CONTROL SHOWN IN PLACE
NOTE: PRESS FLOW CONTROL IN
UNTIL IT BOTTOMS OUT

3 DETAIL A



4 DETAIL B



SEE SHEET 1 OF 2
FOR INSTALLATION/
RETROFIT STEPS



Haws

1455 KLEPPE LANE
SPARKS, NEVADA 89431
(775) 359-4712 FAX (765) 359-7424
E-MAIL: HAWS@HAWS.CO.COM
WEBSITE: WWW.HAWS.CO.COM

CON. NO.	REVISED BY:	MODEL(S)	PART NUMBER
4388	ECN: 1688 HHL	SP65SS	0002077593
DRAWN	DATE	AXION EYE/FACE WASH	DRAWING NO.
IR	2/10/10	SP65SS	15972A00
APPROVED:	DATE	INSTALLATION	REV
			3
	SCALE: 1:18		SIZE: A
			SHEET 2 OF 2