



model 8300FP

Emergency Freeze Protected Shower and Eyewash

FEATURES & BENEFITS

CONSTRUCTION

1-1/4" IPS Schedule 40 hot-dipped galvanized steel pipe and fittings along with powder-coated cast-iron 9" (22.9 cm) diameter floor flange provide corrosion resistance in a long lasting product.

VALVES

Self-draining eyewash and shower valves are designed to make the flushing of fluid remains occur with the simple push of either of the individual push plates. Special self-draining feature prevents the unit from freezing.

STRAINERS/FILTERS/MISC.

Large zinc-plated push plates with graphics are clearly labeled on how to operate the equipment so no time is wasted when an emergency arises.

SHOWERHEAD

AXION® MSR ABS plastic drench showerhead uses a hydrodynamic design to give equal distribution of water throughout the entire footprint of flow.

FLOW CONTROLS

Green ABS designed plastic showerhead and anti-surge Soft-Flo eyewash heads equipped with integral 20 gpm (75.7 L) flow shower control and built in 1.2 gpm (4.5 L) flow eyewash control allow both parts of the emergency equipment to be safely used simultaneously. Flow controls provide the optimal water flow for an ideal coverage area.

OPTIONS

- ❑ Test Tag: SP170 is a green waterproof test card with space for date and initials of inspector. Used to record weekly testing of emergency equipment.
- ❑ AXION® MSR Showerhead: Model SP829SS, AXION® MSR stainless steel drench showerhead with integral 20 gpm (75.7 L) flow control.
- ❑ Three Sided Safety Sign: Model 9020 green and yellow ABS plastic 3-sided high visibility sign.
- ❑ ANSI Shower and Eyewash Testing Kit: Model 9011 ANSI compliance test kit.

For more information, visit www.hawscos.com or call (888) 640-4297.



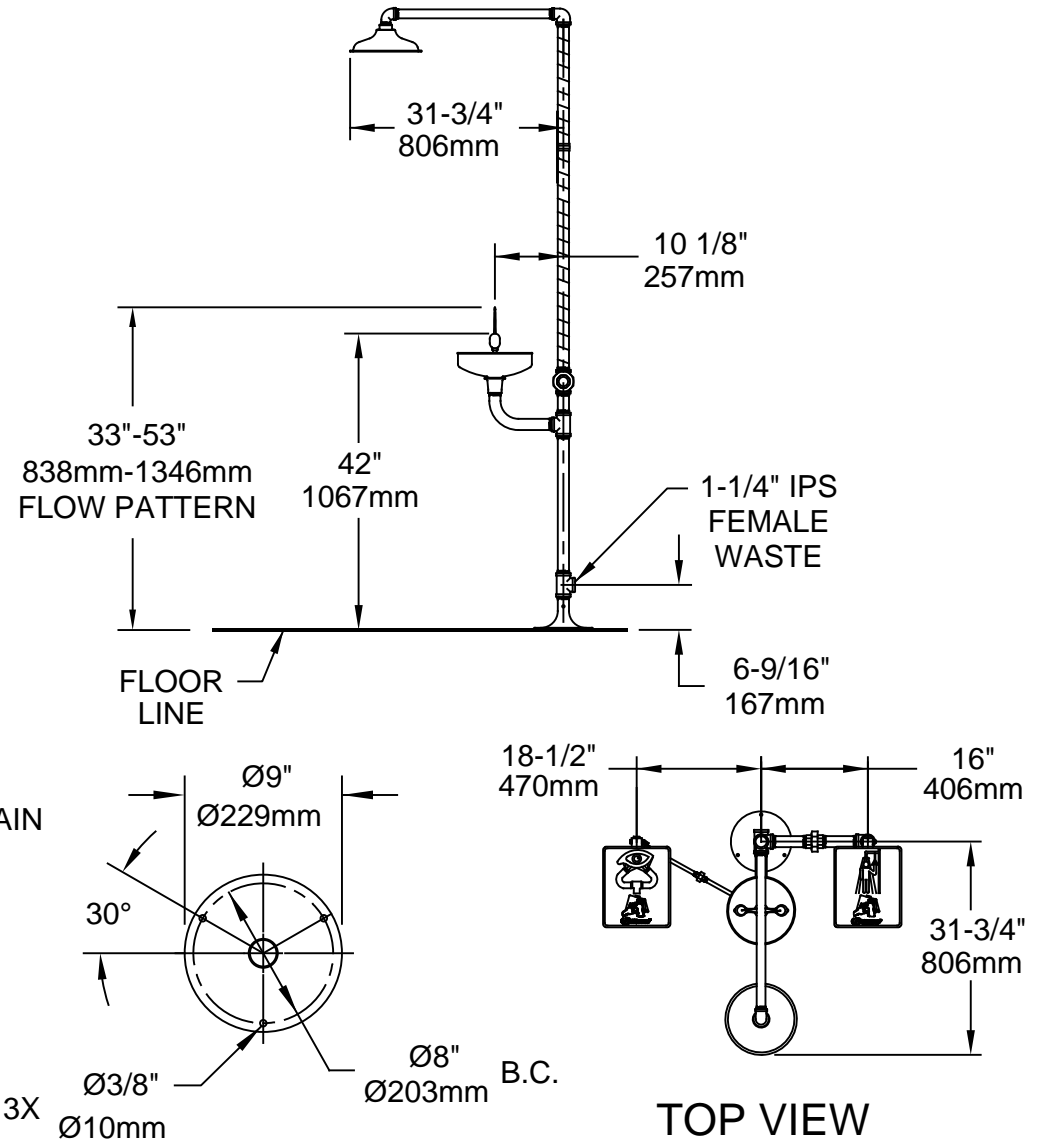
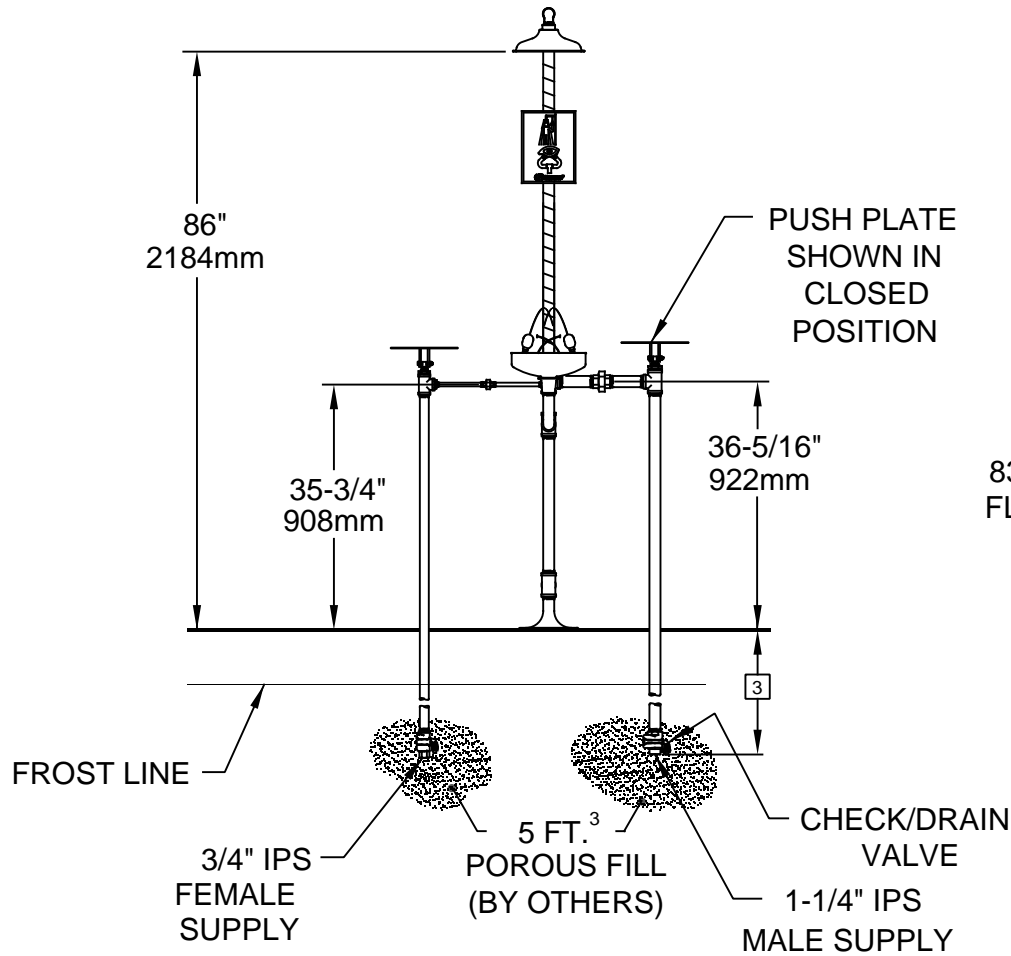
SPECIFICATIONS

Model 8300FP freeze protected combination shower and eyewash shall include an AXION MSR™ showerhead with integral self-regulating 20 gpm flow control, stainless steel 11" (27.9 cm) round bowl, stainless steel eyewash yoke assembly with Soft-Flo ABS plastic eyewash anti-surge heads with integral flow controls and dust covers, two self-draining bury valves with available frost-line depths of 24" and 42" (61 and 106.7 cm) depths, two large zinc-plated steel push plates with universal graphics, powder-coated cast-iron 9" (22.9 cm) diameter floor flange, universal sign, 3/4" NPT and 1-1/4" NPT inlet, and 1-1/4" NPT outlet. REQUIRES MODEL MK8A & MK81A PRICED SEPARATELY.

APPLICATIONS

Where the eyes or body of any person may be exposed to injurious or corrosive materials, suitable facilities for quick drenching or flushing of the eyes and body shall be provided within the work area for immediate emergency use. Emergency eyewash facilities and deluge showers shall be in unobstructed and accessible locations that require no more than 10 seconds for the injured person to reach. Model 8300FP is certified by CSA to meet the ANSI Z358.1 Standard for Emergency Eyewash and Shower Equipment.





NOTES:

1. WHEN INSTALLING THIS UNIT, LOCAL, STATE, OR FEDERAL CODES SHOULD BE ADHERED TO FOR INSTALLATION DIMENSIONS (LOCATIONS), WASTE AND SUPPLY REQUIREMENTS OTHER THAN SHOWN.
2. TO COMPLY WITH ANSI Z358.1-2014 FOR EMERGENCY EYEWASH OR EYE/FACE WASH:
 - EYEWASH OR EYE/FACE WASH SHALL BE POSITIONED SUCH THAT FLUSHING FLUID PATTERN IS NOT LESS THAN 33" (838mm), NO GREATER THAN 53" (1346mm) FROM SURFACE ON WHICH USER STANDS, AND 6.0" (153mm) MINIMUM FROM WALL OR NEAREST OBSTRUCTION.
 - SHOWER SHALL BE POSITIONED SUCH THAT SHOWER HEAD IS NOT LESS THAN 82" (2083mm) OR GREATER THAN 96" (2438mm) FROM SURFACE ON WHICH USER STANDS.
 - SHOWER SPRAY PATTERN SHALL HAVE A MINIMUM DIAMETER OF 20" (508mm) AT 60" (1524mm) ON WHICH USER STANDS. CENTER OF SPRAY PATTERN SHALL BE LOCATED AT LEAST 16" (406mm) FROM NEAREST OBSTRUCTION.

3 SPECIFY BURY DEPTH FOR FREEZE RESISTANT VALVE, STANDARD BURY DEPTHS ARE: 24" [610mm] AND 42" [1067mm].

4. DIMENSIONS MAY VARY BY ±1/2" (13 mm).

MOUNTING DETAIL

TOP VIEW

		1455 KLEPPE LANE SPARKS, NEVADA 89431 (775) 359-4712 FAX (775) 359-7424 E-MAIL: HAWS@HAWS.CO.COM WEBSITE: WWW.HAWS.CO.COM	
		ECN NO. REVISED PER BY: MODEL(S) ECN: 5241 VWC	PART NUMBER 0002080163.D
DRAWN: CH DATE: 05/91 APPROVED: FV	DATE: 11/23/17 CHKD.: VWC	8300FP SHOWER EYEWASH COMBO	
SCALE: 1:1		DRAWING TYPE: INSTALLATION	SIZE: A SHEET 1 OF 1