

# Corby: Shower Head

Architects  
Data File

## Product Detail



Product: Corby  
Code: SHV003

Issue: 1  
Date: 13-10-10

### Product description:

The Corby is of robust construction making it suitable for use in schools, hospitals, sports and leisure facilities and other areas where there is a risk of misuse. High polished chrome plated finish with concealed in wall fixing and concealed or exposed water feed.

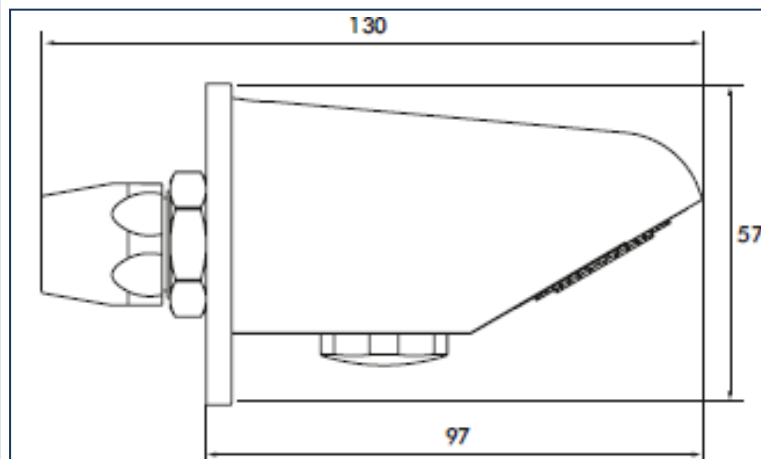
Product: Corby  
Code: SHV003

### Technical Detail:

- Vandal resistant
- High polished chrome
- Brass Body
- Hidden wall fixing for security
- Concealed or exposed fixing connection

#### Operating Conditions

Max. Operating Pressure 10 bar  
Min. Operating Pressure 0.2 bar  
Max. Inlet Temperature 65°C



## Corby: Shower Head

### Packaging detail

**Packing Dimensions Approx.:**

1500mm x 60mm x 50mm

**Total Weight:**

2kg

**Materials Used:**

Cardboard box / plastic paper

**Item Supplied With Product Label**



# Corby: Shower Head

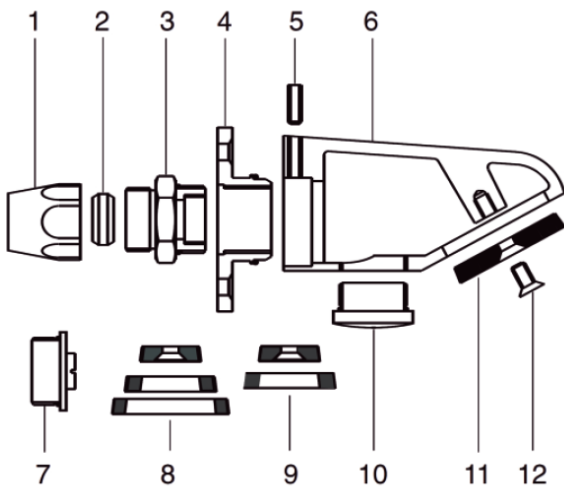
## Installation Detail

The SHV003 is always despatched configured for concealed pipework. Drill a hole through the wall 32mm in diameter.

Separate the body (6) from the backing plate (4) by unscrewing the set screw (5) and pulling apart. Using the backing plate (4) as a template mark the position for the two fixing holes which should be horizontal to each other. Drill and plug to suit the fixing screws supplied which are suitable for most brick walls. If the wall is plaster board or soft building block use special wall plugs obtainable from most DIY stores. Connect the copper supply pipe to the pipe connector (3) using the olive (2) and tighten the compression nut (1) to make a water tight joint. Position the pipe and backplate on the wall and secure in position using the screws provided. Push the body onto the backplate taking care not to damage the 'O' ring seal and retighten the socket set screw (5) to hold in position, do not over tighten.

### Changing Spray Pattern

The spray pattern can be changed to suit. Remove the spray head (11) by unscrewing the counter sunk cap screw (12). The spray head consists of 3 separate plastic rings, gently push from inner side to separate. Use one or both of the 2 unsplinned rings to reduce the number of spray orifice and re-assemble by gently pushing the rings together. Refit to shower and secure with counter sunk cap screw.

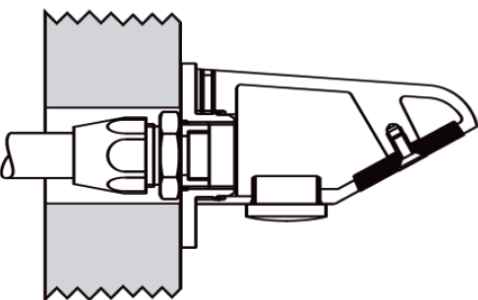


### Components

- |                      |                           |
|----------------------|---------------------------|
| 1 Compression Nut    | 2 Olive                   |
| 3 Pipe connector     | 4 Backplate               |
| 5 Socket set screw   | 6 Body                    |
| 7 Internal plug      | 8 3 splinned rings        |
| 9 2 unsplinned rings | 10 Chrome plug            |
| 11 Spray head        | 12 Counter sunk cap screw |

### Operating Conditions

- |                         |         |
|-------------------------|---------|
| Max. Operating Pressure | 10 bar  |
| Min. Operating Pressure | 0.2 bar |
| Max. Inlet Temperature  | 65°C    |



### Location

For ease of servicing always mount on a tiled wall or similar water proof surface, never tile up to the shower head.

Choose the position of the shower to suit the tallest user.

The shower must not be positioned where it will be subjected to freezing conditions