

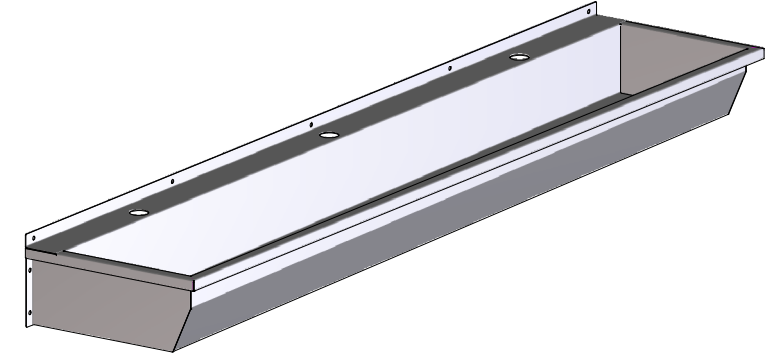
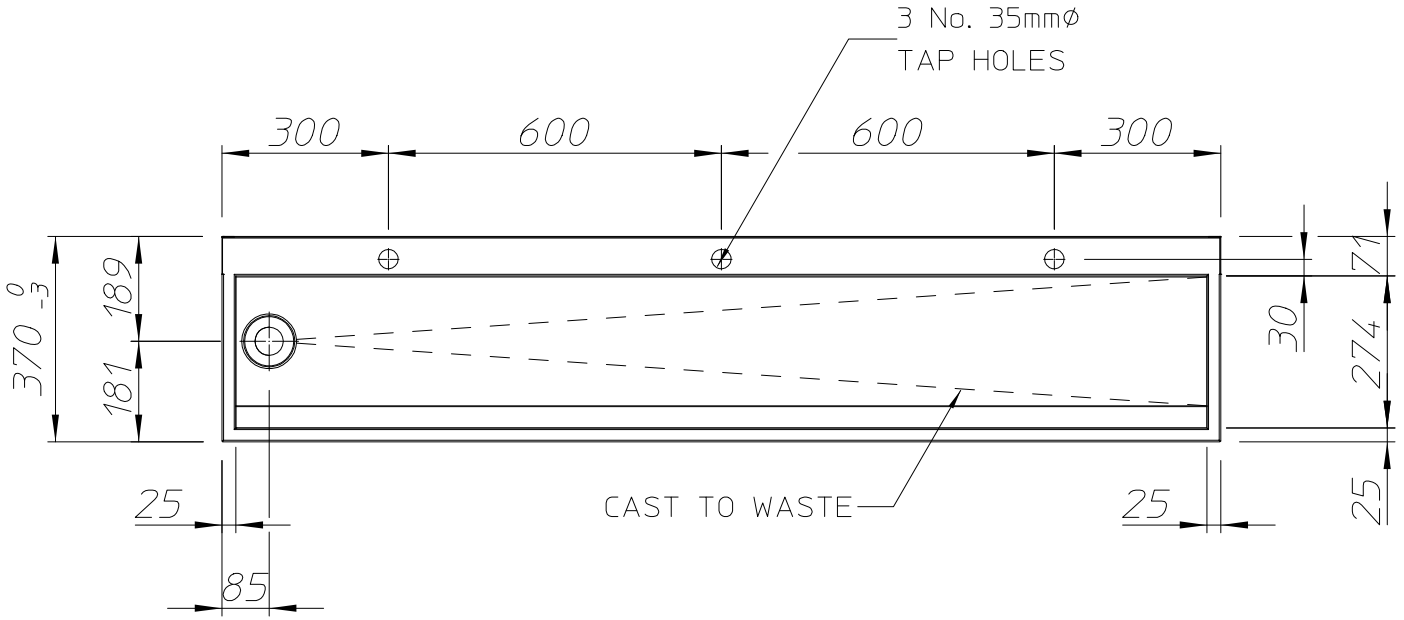
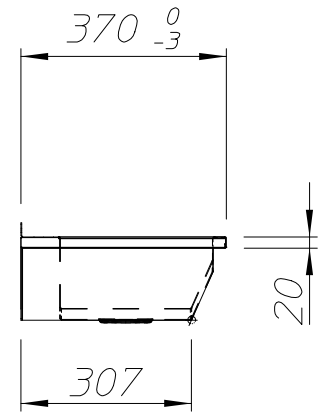
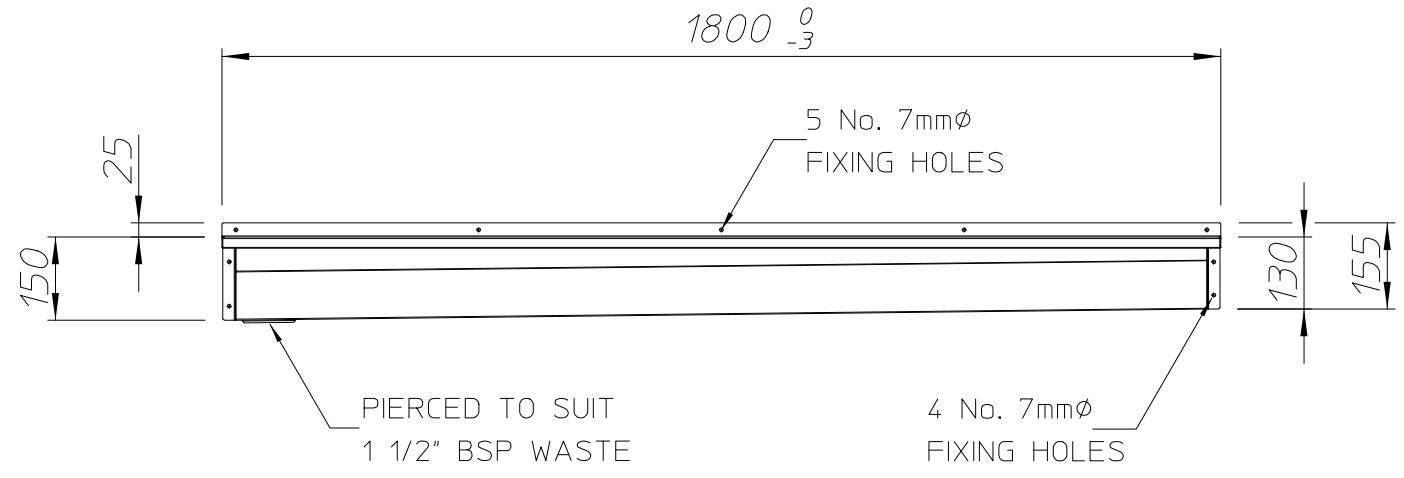
COPYRIGHT IN THIS DESIGN AND IN THIS DRAWING IS THE PROPERTY OF PLAND STAINLESS LTD. REPRODUCTION IN WHOLE OR IN PART IS FORBIDDEN WITHOUT THE WRITTEN SANCTION OF PLAND STAINLESS LTD.
 2020© COPYRIGHT PLAND STAINLESS LTD.

WHERE NO SPECIFIC TOLERANCE IS INCLUDED A GENERAL TOLERANCE OF + OR - 2 APPLIES.

UNLESS OTHERWISE STATED ALL DIMS MM.

ISSUE	REVISION	DATE
A	ORIGINAL	

SOUND DEADENING PADS TO UNDERSIDE OF TROUGH



TITLE: SAN069-1800L-17

pland PLAND STAINLESS LTD.
 LOWER WORTLEY RING ROAD,
 LEEDS
 LS12 6AA
 FAX: 0113 231 0560
 PHONE: 0113 263 4184

DRAWN: R HARDCASTLE	DATE: 21-04-20
CHECKED:	DATE:
APPROVED:	DATE:
SCALE: 1:7 AT A2	DO NOT SCALE
MATERIAL: 304 GRADE S/S 1.2mm	
FINISH: BRUSHED FINISH	

DRG No. SAN069-1800L-17

A
B
C
D
E
F

1 2 3 4 5 6 7 8