

Worth: Standard Cross Head Taps

Architects
Data File

Product Detail



Product: Worth
Code: TP1015

Issue: 1
Date:

Product description:

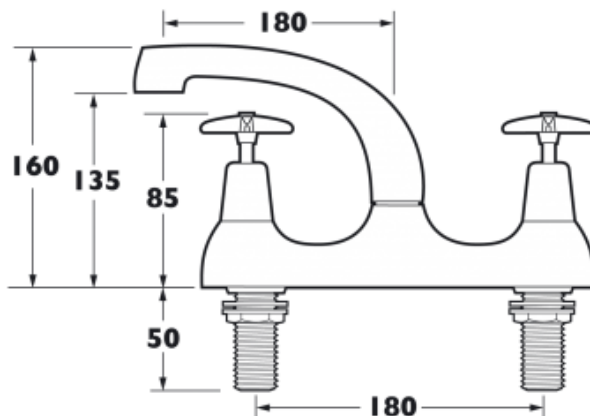
Economy range of crosshead taps to suit catering products and in environments where cost is an important factor.

Product:	Code:
Worth	TP1013
Worth	TP1014
Worth	TP1015

Technical Detail:

Conforms To BS5412
Swivel Spout
Divided Flow
½" Bsp Connection
Back Nut / Seal

Lined Drawing:



Worth: Standard Cross Head Taps

Packaging Detail

Box Size	- 375mm x 235mm x 45mm
Tap Weight	- 1.685Kg
Plastic Weight	- 0.015Kg
Card Weight	- 0.17Kg
Paper Weight	- 0.004Kg
Total Weight	- 1.874Kg

