

Worth: Standard Cross Head Taps

Architects
Data File

Product Detail



Product: Worth
Code: TP1014

Issue: 1
Date:

Product description:

Economy range of crosshead taps to suit catering products and in environments where cost is an important factor.

Product: Code:

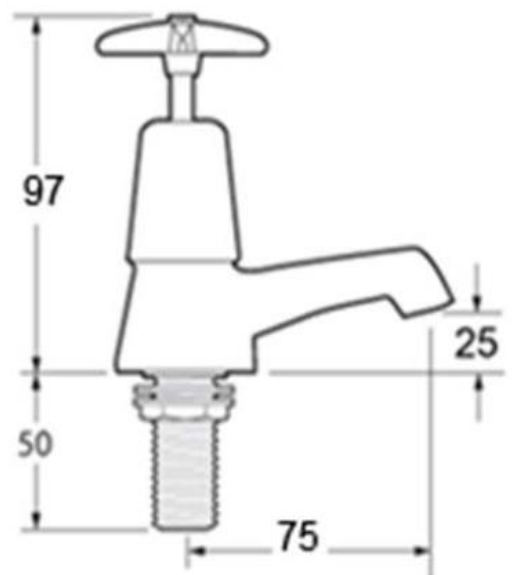
Worth	TP1013
Worth	TP1014
Worth	TP1015

Technical Detail:

Screw In Tail
Standard Turn
Flush Anti Splash
Brass Back Nut
Min Pressure 0.1 Bar
Recommended Pressure 0.2 Bar

Flow	Bar	-	L/Min
0.1			6
0.2			7
0.3			N/A
0.5			8.5
1			16
2			20

Lined Drawing:



Worth: Standard Cross Head

Packaging Detail

Box Size	- 220mm x 160mm x 60mm
Tap Weight	- 0.82Kg
Plastic Weight	- 0.005Kg
Card Weight	- 0.129Kg
Paper Weight	- 0.002Kg
Total Weight	- 0.956Kg

