

Worth: Standard Cross Head Taps

Architects
Data File

Product Detail



Product: Worth
Code: TP1013

Issue: 1
Date:

Product description:

Economy range of crosshead taps to suit catering products and in environments where cost is an important factor.

Product:

Worth
Worth
Worth

Code:

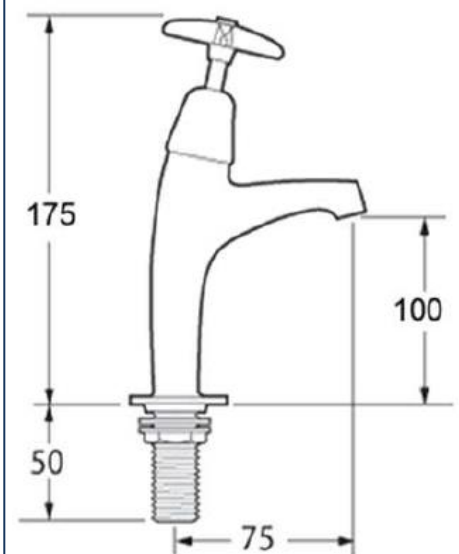
TP1013
TP1014
TP1015

Technical Detail:

Screw In Tail
Standard Turn
Flush Anti Splash
Brass Back Nut
Min Pressure 0.1 Bar
Recommended Pressure 0.2 Bar

Flow	Bar	L/Min
0.1	-	8
0.2	-	9
0.3	-	11
0.5	-	15.5
1	-	17
2	-	20

Lined Drawing:



Worth: Standard Cross Head

Packaging Detail

Box Size	- 520mm x 180mm x 55mm
Tap Weight	- 1.06Kg
Plastic Weight	- 0.009Kg
Card Weight	- 0.135Kg
Paper Weight	- 0.004Kg
Total Weight	- 1.208Kg

