



Good for pupils  
Good for maintenance  
Good for the environment  
Good for the future

**Environmentally friendly, hygienic and durable stainless steel washrooms are ideal for schools. Stainless steel offers numerous benefits for use in the education sector.**

**S**tainless steel is hygienic because it is so easy to clean, which makes it an ideal choice for school and college washrooms. It is the reason why stainless steel is used in applications where strict hygiene is required such as hospitals, laboratories and kitchens.

Stainless steel has an inherent protective film which reforms immediately if the surface is damaged or scratched so reducing the appearance of blemishes. This makes it ideal for high traffic areas such as school washrooms.

When used in washrooms stainless steel offers physical as well as

aesthetic benefits and provides a purity and longevity of design rarely found in other materials. It is corrosion resistant which means that it won't be affected by the surrounding environment.

**"With the move away from traditional enclosed toilets found in older schools, because they can be intimidating for some pupils, Pland's washstations met our design brief perfectly. They allow for an open plan scheme without creating blind spots, which could become havens for bullying."** Matt Beach, architect, Race Cottam Associates

Pland Stainless is one of the UK's leading designers and manufacturers of stainless steel washroom and sanitaryware products. Founded in 1919, the company is committed to delivering the highest levels of customer service and quality products.



Stainless steel is  
100% recyclable

Circular stainless steel washstations have a proven record in schools and colleges. Not only are they space efficient but they can help reduce anti-social behaviour. When combined with sensor operated taps stainless steel results in genuine improvements in hygiene levels.

## Venice

### Circular hand operated washstation



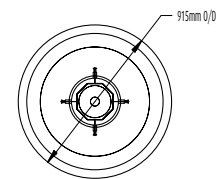
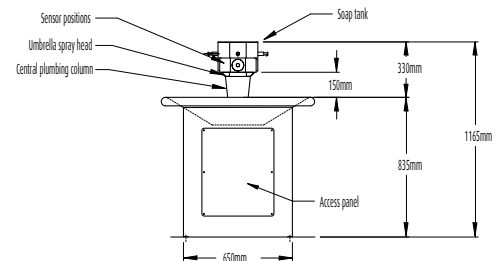
Venice circular washstation, with radiused outer edge, supplied on a pedestal with service access panel. The centre column contains a large refillable soap tank with plungers and features either hand operation with nonconcussive taps, foot operated faucets or sensor operation faucets.

Suitable for schools, colleges and communal washroom environments the unit is preplumbed and fitted with a thermostatic mixer valve and a pressure reducing valve making the unit easier to install and commission. Base can be straight or conical shaped and the soap tank takes any standard liquid soap.

Pland recommends sensor taps for its Venice washstations because the 'no touch' technology improves hygiene by reducing the spread of germs and

bacteria. They are also highly effective in saving water and thus reduce costs in use. For metered supplies it is estimated that the payback time is within six months. Sensor taps also prevent scalding because water temperature can be set using the thermostatic mixer valve.

Hand washing areas should be an extension of the circulation space and may be unisex. Experience has shown this reduces the opportunity for anti-social behaviour; the Venice washstation has proved to be an ideal product in these areas.



Product	Code
<b>Venice circular washstation</b>	
<b>Options Straight Support</b>	
4-6 person hand operated	WP6120H
6-8 person hand operated	WP6130H
4-6 person sensor operated	WP6120S
6-8 person sensor operated	WP6130S
4-6 person foot operated	WP6120F
6-8 person foot operated	WP6130F
<b>Options Conical Support</b>	
4-6 person hand operated	WP6120HC
6-8 person hand operated	WP6130HC
4-6 person sensor operated	WP6120SC
6-8 person sensor operated	WP6130SC
4-6 person foot operated	WP6120FC
6-8 person foot operated	WP6130FC



# Classic designs...

Pland washroom fittings are classic designs that will not date. Their form follows their function and they are made from stainless steel which complements the overall aesthetics of school and college washrooms. They will retain their appearance and performance for years to come.



## Malaga

### Wash trough



Malaga stainless steel wash trough is of smooth construction with a full incorporated upstand to take sensor taps and soap dispensers.

Satin finish handwash units for 2, 3 or 4 persons. Supplied complete with 120mm spouts and chromium plated waste.

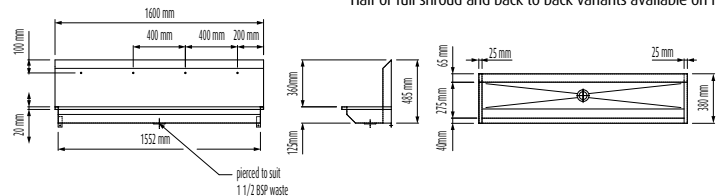
Other wash trough designs are available to be appropriate for specific washroom layouts.



Product	Code
550mm length	HWU0550
1100mm length	HWU1100
1600mm length	HWU1600

#### Options

- Knee or foot operated valves
- Electronic sensor operation
- Half or full shroud and back to back variants available on request



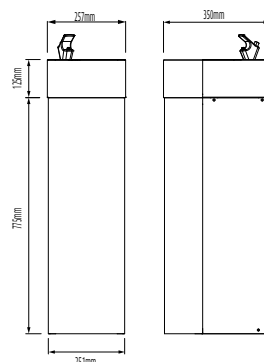
## Jonzac

### Drinking fountain



Jonzac is a wall or pedestal mounted drinking fountain available in adult or junior height and so ideal for schools and colleges. Complete with push button water bubbler tap with protected nozzle, to minimise direct contact, it is WRAS approved.

To encourage pupils to drink enough water, it is essential that washrooms are clean, in good order and accessible. For hygiene reasons drinking water facilities should be located away from the toilet facilities.



Product	Code
Floor standing adult, 257 x 350 x 900mm	SAN172
Floor standing Junior, 257 x 350 x 700mm	SAN172J
Wall mounted, 257 x 350mm	SAN171
Chrome Plated bubbler tap	TP1012

# that do not date

## Avignon

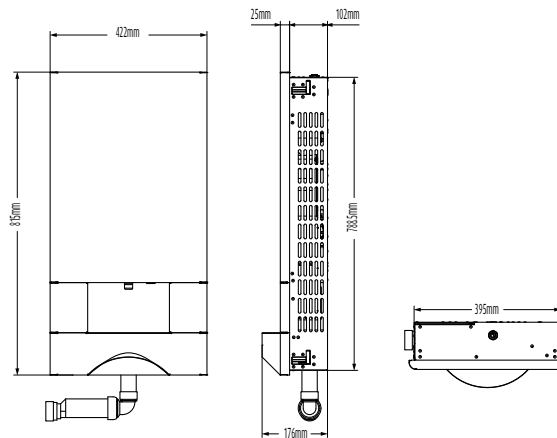


### Automatic recessed washstation

Where space is limited Avignon provides an effective and efficient solution that is both durable and secure. Avignon is recessed and can be mounted at a variety of heights so that children of all ages can use the facility.

Avignon provides a complete handwash facility in a durable brushed stainless steel unit. Using modern sensor technology Avignon dispenses soap and water and includes an integrated warm air hand dryer. Maintenance access is from front or rear with lockable security.

This product is WRAS approved.



Product	Code
Automatic recessed washstation	SAN1053

## Trent

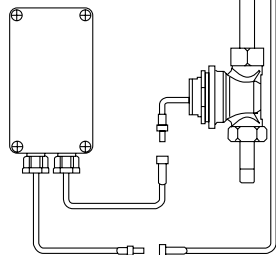
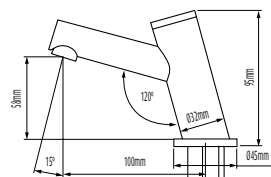


### Basin sensor tap

Trent is a basin mounted, touch sensor, electronic battery powered, time controlled tap. The self closing fitting avoids the risk of taps being left on and together with that allows the user to open and close the faucet according to need.

Water will flow when the user touches the upper cap and will run for 20 seconds or until the user presses the cap again. The 20 second factory preset can be changed easily by installation or maintenance staff according to requirements. Running time adjustment is not accessible to end users.

Other sensor taps are available including a classic basin style infrared, battery operated sensor tap.



Product	Code
Basin mounted touch sensor tap battery operated	TP1082

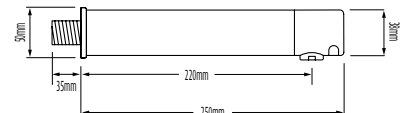
## Tweed



### WM straight automatic tap

With its modern and simple design, the Tweed wall mounted tap ensures the ultimate in hygiene in the most difficult of applications.

The Tweed wall mount tap is manufactured from stainless steel with a solid 38mm stainless steel ingot for the head assembly. Standard is a 250mm projection with a brushed finish. Polished finish is available as are other projection lengths.



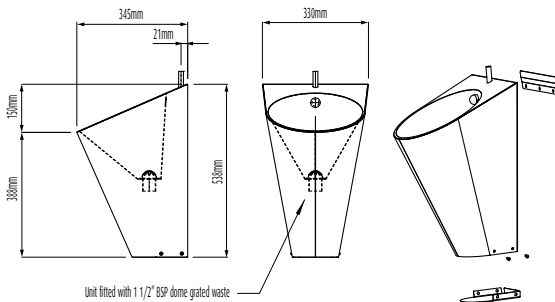
Product	Code
Single station wall mounted sensor tap	TP1081
2 station wall mounted sensor tap	TP1035
3 station wall mounted sensor tap	TP1036

## Krakov



### Bowl urinal

Krakov is a new wall mounted bowl urinal which features modern lines that complement Pland's WCs and privacy panels. Krakow is of robust design that is vandal resistant with flowing lines for ease of cleaning. Supplied with exposed or concealed plumbing with cistern and down pipe to suit, urinal s/s removable dome waste, location bracket and wall fixings.



Product	Code
Krakov single bowl urinal pack exposed pipe work	UR1400
Krakov single bowl urinal pack concealed pipe work	UR1400RE
Options	
Range of 2	UR1400P2
Range of 3	UR1400P3
Range of 4	UR1400P3

## Adur

### No touch WC flushvalve



Adur flushvalve is a no touch WC flushing system. An electronically operated drop valve replaces the traditional syphon so as to deliver a measured volume of water from the cistern to the lavatory bowl.



The reliability, robustness and vandal resistance of Adur flush valve make it an ideal choice for schools and colleges, eliminating the need for term time maintenance. No touch sensors also reduce the spread of bacteria and water wastage.

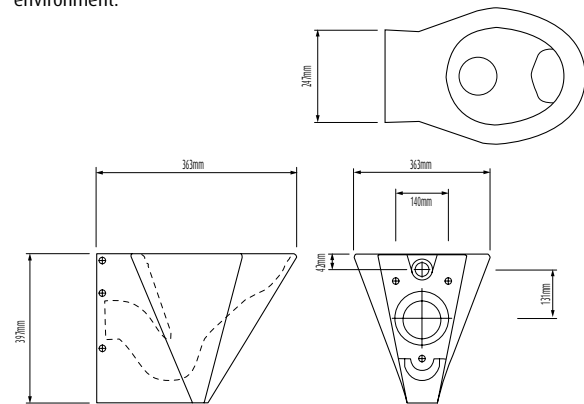
Adding sensor type WC flushing controls may provide additional BREEAM points. This product is WRAS approved.

## Calvi



### WC pan

Calvi is a stylish WC pan that will withstand the high volume of traffic in a busy school environment. With its longevity and ease of maintenance Calvi is a good choice of WC pan and, because stainless steel is 100% recyclable it is also good for the environment.



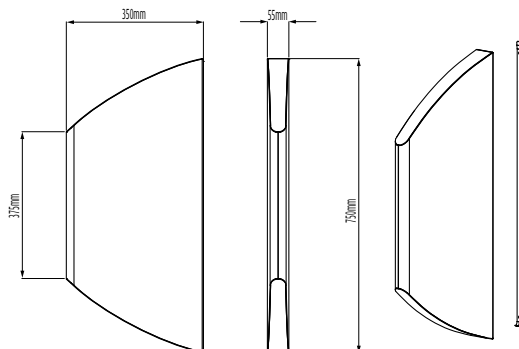
## Dusseldorf



### Privacy panel

Dusseldorf privacy panels are an option where privacy is important. Shyness is common amongst younger boys and the Dusseldorf can help ensure sightlines into an area are eliminated.

Manufactured from one piece of stainless steel with lines to complement the sanitaryware products.



## Hexham Air dryer



Sensor operated air dryers are both efficient and hygienic as they operate only when users' hands are within range of the infrared sensor.



Hexham hand and face air dryers are available constructed with a heavy gauge die cast aluminium casing finished in white chip proof gloss. Stainless steel casings are available on request.

Sensor code: SAN0132  
Touch code: SAN0112

## Holbeck Midi-jumbo roll dispenser



Holbeck is a stylish stainless steel jumbo dispenser which accommodates a variety of paper cores from 48mm up to 76mm.

Each unit incorporates a mounting bracket to fix to the wall with a key locking mechanism. Nominal roll diameter is 300mm (12 inches) and the depth is 126mm.

Code: SAN1044

## Cherwell Flat tissue holder



Cherwell is a robust metal dispenser designed for easy filling. It is appropriate for unsupervised locations and to suit all budgets, Cherwell can be used with a choice of premium or recycled paper.

With a capacity of 1000 standard sheets or 500 high quality premium sheets Cherwell measures 137mm wide, 112mm deep and is 223mm high.

Code: SAN1045

## Gildersome 3 roll dispenser



This lockable, sturdy and durable dispenser enables storage of up to three standard toilet rolls with a refill facility ensuring a constant supply. Reserve rolls are held out of contact with the rotatable roll in use and may be brought into position for use with a simple finger push.

Gildersome holds three standard rolls and measures 125mm wide, 127mm deep and 399mm high.

Code: SAN1046

## Honley Soap dispenser



With a large full litre capacity and push action dispense Honley is properly specified for use in schools and colleges. Its stylish brushed stainless steel finish means it complements Pland's other washroom fittings.

Honley's all stainless steel cover hinges forward to give easy access to the refillable reservoir and incorporates a key lock with snap shut closing for easy filling. Honley measures 100mm wide, 95mm deep and 265mm high.

Code: SAN1047

## Morley Waste bin



Morley is a vandal resistant 30 litre waste bin constructed from high quality brushed stainless steel. Morley features an innovative bag holder which keeps the bag securely within the bin. The bin is secured to the wall with concealed hex headed bolts which offer a good degree of security, especially against opportunist theft.

Morley has a capacity of 30 litres and measures 355mm wide, 159mm deep and 650mm high.

Code: SAN1048

## Askern Recessed towel dispenser



Askern provides space saving benefits by being recessed and has the facility to dispense different sizes of concertina or interleaved paper towels.

Askern can be adjusted to take most sizes of paper hand towel and has a capacity of 500 sheets.

Manufactured in tough stainless steel the unit is fitted with a lock for extra security.

Code: SAN1049

## Fixby Recessed warm air dryer



Fixby is a high performance warm air dryer in a durable stainless steel recessed enclosure. Infrared sensors are built into air outlet to provide automatic operation; the dryer switches on when hands are placed under outlet and switches off when they are moved away.

Fixby has a brushed stainless cover and zinc plated steel backplate. In operation it generates a sound level of 76 dB and has a power rating of 2.6kW at a speed of 4650 rpm.

Code: SAN1050

## Tingley Recessed waste bin



Tingley is a highly space efficient product with an integral plastic liner. Tingley has a capacity of 25 litres and incorporates an integrated magnetic catch to retain the cover.

Tingley waste bin can be wall mounted or cavity recessed and has a brushed stainless cover and zinc plated steel backplate.

Code: SAN1051

## Baildon Towel dispenser



For busy washrooms Baildon accommodates both concertina and multifold paper hand towels. The visual indicator clearly shows the paper level helping to ensure supply need never run out. Baildon not only protects the paper from soiling but its robust construction resists vandalism.

Baildon holds 750 sheets of paper hand towels and its cover and back plate are made in brushed stainless steel. The unit measures 250mm wide, 105mm deep and 365mm high.

Code: SAN1052

### Pland Stainless Limited

Lower Wortley Ring Road  
Leeds  
LS12 6AA

Tel: +44 (0) 113 263 4184  
Fax: +44 (0) 113 231 0560

Email: [sales@plandstainless.co.uk](mailto:sales@plandstainless.co.uk)

[www.plandstainless.co.uk](http://www.plandstainless.co.uk)

### Associated Metal (Stainless) Limited

Unit 47, Anniesland Village Business Park  
Netherton Road, Glasgow  
G13 1EU

Tel: +44 (0) 141 959 9111  
Fax: +44 (0) 141 959 3397

Email: [info@assoc-metal.co.uk](mailto:info@assoc-metal.co.uk)