

# Pland

for Janitorial

CI/SfB

January 2015

(7-)

h3

Uniclass L721/L83/L852



**Pland**
















Strength in stainless steel

For more information  
or to order please call  
**0113 2634184**  
or visit our website  
[www.plandstainless.co.uk](http://www.plandstainless.co.uk)

**Beautifully  
designed  
stainless  
steel for  
every  
application**

## Product Features Key

**Product feature icons** - The following icons give information about individual product specifications.

	304 Grade Stainless Steel		0.7mm Steel Thickness
	316 Grade Stainless Steel		0.8mm Steel Thickness
	Healthcare Compliant		0.9mm Steel Thickness
	Satin Finish		1.0mm Steel Thickness
	Polished Finish		1.2mm Steel Thickness
	Water Regulation Approved		1.5mm Steel Thickness
	Sensor Operated		2.0mm Steel Thickness
			3.0mm Steel Thickness

## Janitorial



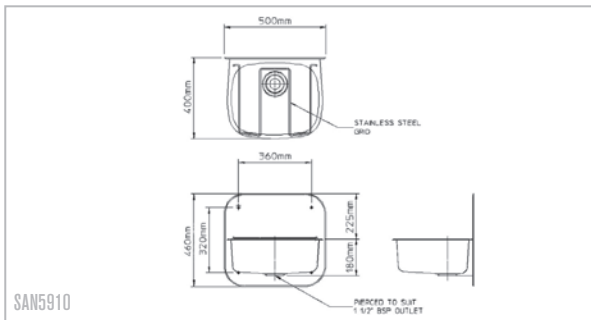
Stainless steel's physical strength and durability make it particularly appropriate for janitorial and building maintenance products. Compared to other materials such as ceramics, galvanised iron and plastics, stainless steel provides unparalleled longevity. This is especially relevant where products are being subjected to a tough and demanding life or where corrosive chemicals may be splashed around.

Pland's range of janitorial products share stainless steel's benefit of being easy to clean, a characteristic that makes it the ideal choice for janitorial equipment for hospital, catering and educational sectors.

## Aberdeen - Cleaners sink



SAN5910



SAN5910

Aberdeen cleaners sink with 250mm high splashback and bucket grating. Taking buckets or food containers for rinsing and washing down and the unit is anti-vandal. The sink is fixed to the wall with 4 suitable screws for the wall application through the back of the unit.

### Product

### Code

#### Aberdeen cleaners sink

Aberdeen cleaners sink

SAN5910

#### Taps

Lever action bib tap 3" levers

TP1127

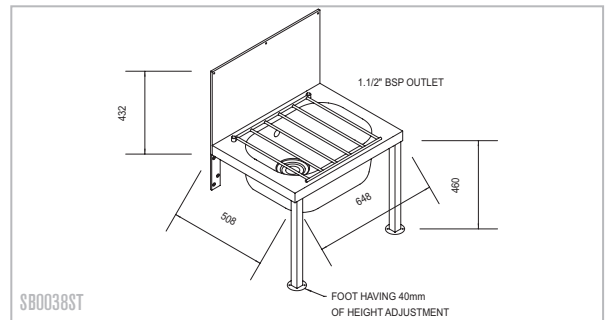
Non concussive wall mounted bib taps

TP1051

## Tahiti - Bucket sink



SB0038ST



SB0038ST

The Tahiti bucket sink is a heavy duty sanitaryware unit, for use with buckets or food containers for rinsing and washing down. Wall mounted with two adjustable front feet, fixing brackets, hinged heavy gauge grid, stainless steel splashback.

### Product

### Code

#### Tahiti bucket sink

Tahiti bucket sink

SB0038ST

#### Taps

Lever action bib tap 3" levers

TP1127

Non concussive wall mounted bib taps

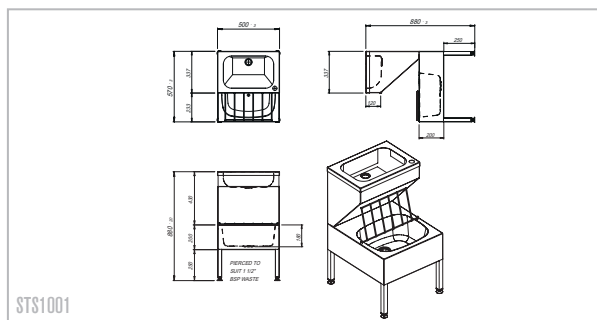
TP1051

## Tulagi - Janitorial unit



STS1001

GRADE 304 0.9 1.2 SATIN



STS1001

Tulagi is a catering style free standing combination washbasin and bucket sink. Supplied with adjustable feet, hinged grid, satin finished bowl, monobloc swivel mixer tap and waste kit.

### Product

### Code

#### Tulagi Janitorial Unit

Tulagi janitorial unit

STS1001

#### Taps

Chilt

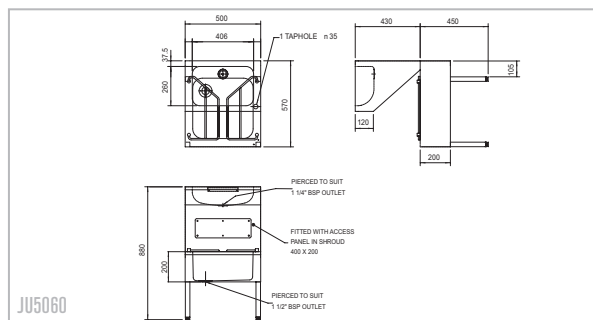
TP1073

## Samoa - HTM64 janitorial unit



JU5060

GRADE 304 0.9 1.5 SATIN HTM 64



JU5060

Samoa is a free standing combination of washbasin and bucket sink. Supplied with adjustable feet, hinged grid, polished bowl, monobloc swivel mixer tap and waste kit. Rear leg is inset allowing for pipework and services, unit can be wall mounted with joggle strip and fixing holes. Legs are removable. Complete with basin waste access panel.

### Product

### Code

#### Samoa Janitorial Unit

Samoa janitorial unit

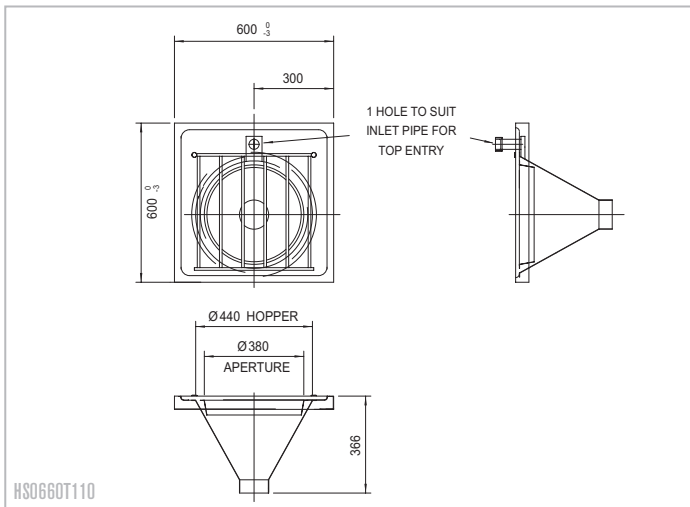
JU5060

#### Taps

Chilt

TP1073

## Bali - HTM64 slop hopper



Wall mounted, solid and liquid waste disposal unit with continuous flushing rim and hinged bucket grating. Supplied with earth tag. Waste traps and 75mm outlet available on request.

### Product

### Code

#### Bali slop hopper

Back entry 110mm diameter outlet,  
160mm x 600mm x 366mm

HS0660B110

Top entry 110mm diameter outlet,  
160mm x 600mm x 366mm

HS0660T110

#### Options

Cantilever brackets

SH0600L/R

Stainless steel legs

SHL60600

Stainless steel short legs

SHL60600SH

Stainless steel cistern - lever flush

CISTERN-L

Cistern connecting pipe - 500mm

FALLPIPE

Concealed high level plastic cistern with lever

SAN1002

P-trap - polypropylene

HT110P(P)

P-trap - stainless steel

HT110P

S-trap - polypropylene

HT110S(P)

S-trap - stainless steel

HT110S

Waste, traps and 75mm outlet available on request.

## Fiji - HTM64 Slop hopper



HC1660T110L



Hospital pattern wall mounted, combined slop hopper, sink and drainer which conforms to HTM64 (DU-H). Overall size 1600mm x 600mm with polished bowl 533mm x 381mm, 200mm deep. Supplied with sound deadening pads and earth tag. Waste, traps and 75mm outlet available on request.

### Product

### Code

#### Fiji combined slop hopper with sink and drainer

Back entry 110mm diameter outlet,  
1600mm x 600mm x 366mm

HC1660B110L/R

Top entry 110mm diameter outlet,  
1600mm x 600mm x 366mm

HC1660T110L/R

#### Options

Cantilever brackets

SHB0600L/R

Stainless steel legs

SHL60600

Stainless steel short legs

SHL60600SH

Stainless steel cistern - lever flush

CISTERN-L

Cistern connecting pipe - 500mm

FALLPIPE

Concealed high level plastic cistern with lever

SAN1002

P-trap - polypropylene

HT110P(P)

P-trap - stainless steel

HT110P

S-trap - polypropylene

HT110S(P)

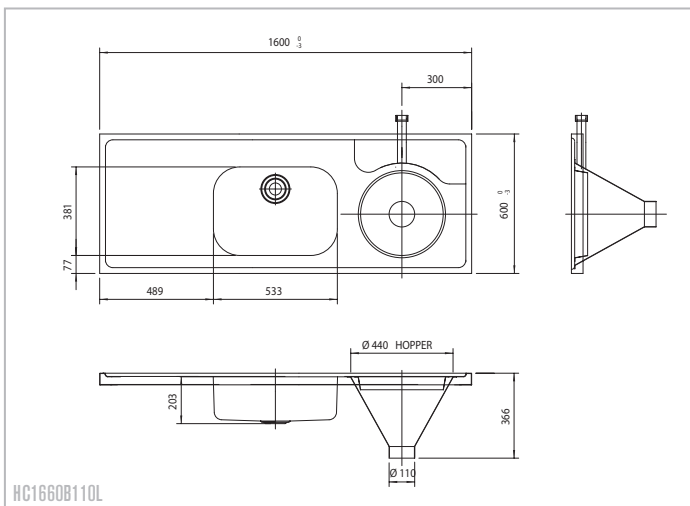
S-trap - stainless steel

HT110S

Dee 200mm wall mounted bib taps

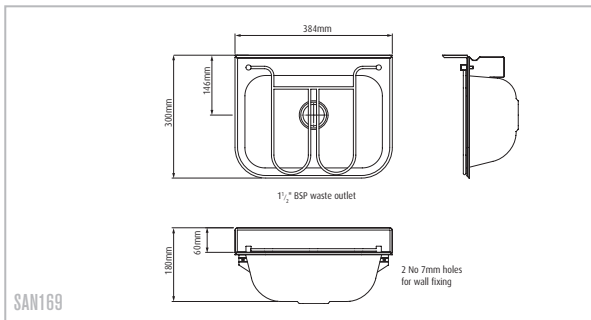
TP1005

Waste, traps and 75mm outlet available on request.



HC1660B110L

## Guam - Small bucket sink



Guam is a wall mounted bucket sink 384mm x 300mm x 120mm, for rinsing and washing down of buckets or food containers. For use in areas where space is at a premium. Supplied complete with stainless steel hinged bucket grid, 1 1/2" BSP waste kit and a strong integrated wall mounting bracket/support.

### Product

### Code

#### Guam small wall mounted bucket sink

Guam small wall mounted bucket sink

SAN169

#### Taps

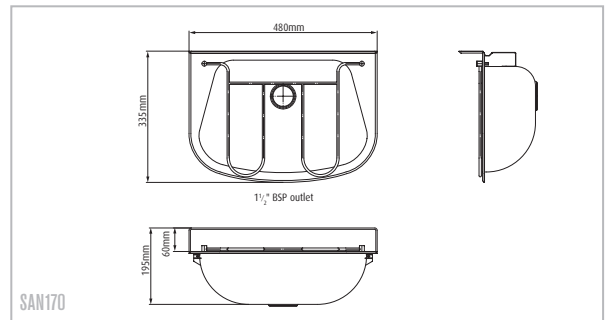
Lever action bib tap 3" levers

TP1127

Non concussive wall mounted bib taps

TP1051

## Tuvalu - Large bucket sink



Tuvalu is a wall mounted bucket sink 480mm x 335mm x 135mm, for rinsing and washing down of buckets or food containers. The unit has a curved front profile and is provided complete with stainless steel hinged bucket grid, 1 1/2" BSP waste kit and a strong intergrated mounting bracket/support.

### Product

### Code

#### Tuvalu large wall mounted bucket sink

Tuvalu large wall mounted bucket sink

SAN170

#### Taps

Lever action bib tap 3" levers

TP1127

Non concussive wall mounted bib taps

TP1051



# Other Pland Products

You may also be interested in our other specialist sectors

We offer a wide range of stainless steel products for many other industries.

Call now for a specific brochure or to receive our full Compendium - **0113 2634184**

alternatively visit our website to view or download product details - [www.plandstainless.co.uk](http://www.plandstainless.co.uk)



Catering



Janitorial



Washroom



Education



Laboratory



Sanitaryware



Healthcare



Secure



Bespoke

Pland Stainless Limited, Lower Wortley Ring Road, Leeds, West Yorkshire, LS12 6AA

Telephone 0113 263 4184 Fax 0113 231 0560 [www.plandstainless.co.uk](http://www.plandstainless.co.uk) [sales@plandstainless.co.uk](mailto:sales@plandstainless.co.uk)

All rights reserved. Other than for creating architectural and design specifications and construction design proposals, no part of this publication may be reproduced in any material form including photocopying or storing in any medium by electronic means without the written permission of the copyright holder. At Pland we continually update and develop our products and therefore reserve the right to make changes to the products described without notice. E & OE.

© Pland Stainless Limited 2015

Written and designed by 9y Creative Communications [www.9ycreative.co.uk](http://www.9ycreative.co.uk)

Artwork and printing by Briggs Brothers Colour Printers [www.briggsbros.com](http://www.briggsbros.com)